

SPECIFICATION SHEET

PRODUCT # : CL-551-BK

• Flood Lights

• Aluminum

Fixture Specifications:

Housing: Aluminum

Finish: BK-Black, also available in BZ- Bronze

Lens: Removable Frosted Lens (Clear lens Included)

Socket: Top grade fixed ceramic bi-pin socket, with lamp retention clip to securely hold lamp in place

Lamp: 12V T3 LED.
Available in 3W Bluetooth mesh smart RGB-WW or CCT; 2W, 2.5W or without lamp.
See the Lamp Guide below for more information.

Gasket: Silicon gasket for water tight sealing

Knuckle: Adjustable knuckle with thumb screw and 1/2" NPT threaded male hub on bottom.

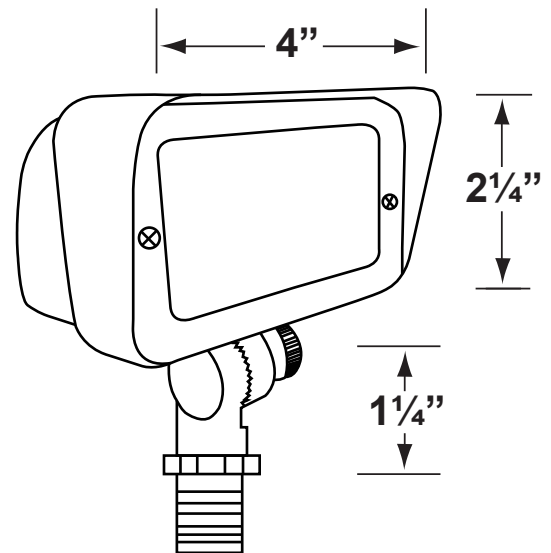
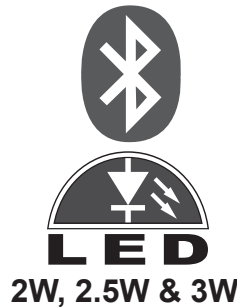
Wiring: Fixture is prewired with a 3-ft 18-2 SPT1-W direct burial cord. Wire connector sold separately. Quick-locking connectors (**CX-LOC**) are available from Corona Lighting. See page 3 for details

IP Rating: IP65

Mounting Spike: Standard injection molded spike with 1/2" NPT threaded female hub.

Electrical Notes: A remote 12V transformer is required. Options are available from Corona Lighting (see page 3). Voltage range for BT lamps are 9-17V, LED are 8-21V. Proper grease/lubricant is suggested on threaded parts during installation process.

Warranty: Ten (10) year warranty on fixture housing against manufacturer's defects.



AVAILABLE LED LAMPS (Corona LED lamps have a five (5) year limited warranty against manufacturer's defects)

LAMP NUMBER	WATTS	BEAM		COLOR & TEMP.	RATED HOURS	HALOGEN EQUIVALENT
		SPREAD	LUMEN			
L-EDT3-3W-BT	0.5 - 3	360°	10-200	2200K-5700K	25,000	20W
<i>(Color-Changing, Color Temperature Changing, Zoning, & Dimming)</i>						
L-EDT3-3W-CCT	0.5 - 3	360°	10 - 250	2200K - 5700K	25,000	20W
<i>(Color Temperature Changing, Zoning, & Dimming)</i>						
L-EDT3-2W	2	360°	200	2700K	25,000	20W
L-EDT3-2.5W	2.5	180°	240	2700K	25,000	35W
L-EDT3-2W-3K	2	360°	210	3000K	25,000	20W
L-EDT3-2.5W-3K	2.5	180°	250	3000K	25,000	35W
L-EDT3-AM*	2	360°	170	2000K	25,000	20W

* AM- Amber color
 -Bluetooth connection
 -Color changing

JOB INFORMATION

TYPE: _____ DATE: _____

JOB NAME & ADDRESS: _____

PRODUCT #:

TOTAL QUANTITY:

LAMP TYPE & WATTAGE:

TRANSFORMER:

CONTRACTOR:

SPECIFIER:

• When ordering a halogen or xenon lamp add lamp number to the product number. If you are ordering LED lamps you should follow the format below:

• CL - product # - lamp - wattage

Example: CL-551-BK-L-EDT3-2W-3K

CL - 551-BK - L-EDT3 - 2W-3K

• Corona Lighting reserves the right to make any change and/or improvement to the design and construction of this fixture without further notification.

ACCESSORIES SHEET

PRODUCT # : CL-551-BK

• Flood Lights

• Aluminum

Mounting Risers

- CX-671-BK 6" Aluminum Riser, ½ NPT Male/Female
Finishes: **BK**- Black
- CX-672-BK 12" Aluminum Riser, ½ NPT Male/Female
Finishes: **BK**- Black
- CX-673-BK 18" Aluminum Riser, ½ NPT Male/Female
Finishes: **BK**- Black



Mounting Posts For Sign Light & Path Light Applications

- CX-678-BK 24" Aluminum Single Head Post, Finishes: **BK**- Black
- CX-679-BK 24" Aluminum Double Head Post, **BK**-Black
- CX-690-BK 18" Aluminum Single Head Post, **BK**-Black
- CX-693-BK 18" Aluminum Double Head Post, **BK**-Black

CX-718 (Mounting Canopies pg 2) is required for sign light installation.



Mounting Canopies

- CX-701-BK Aluminum Mini 3 Hole Round Canopy, ½ NPT, **Black**
- CX-702-BK Aluminum Rectangular Canopy, ½ NPT, **Black**
- CX-709-BK Aluminum Raised Canopy, ½ NPT.
Finishes: **BK**- Black
- CX-718-BK 5" Aluminum Canopy, 3-Hole ½" NPT.
Finishes: **BK**- Black
- CX-721-BK Aluminum Tree mount Canopy with 15" Rubber Strap
stretches to 22"
Finishes: **BK**- Black
- CX-722-BK Aluminum Tree mount Canopy with 22" Rubber Strap
stretches to 33"
Finishes: **BK**- Black
- CX-723-BK Aluminum Tree mount Canopy with 31" Rubber Strap
stretches to 45"
Finishes: **BK**- Black

ACCESSORIES SHEET

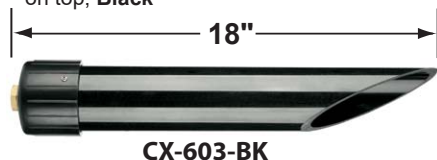
PRODUCT # : CL-551-BK

• Flood Lights

• Aluminum

Mounting Pedestals

CX-603-BK 3" PVC Mounting Pedestal, 1/2" NPT Female Brass Hub on top, **Black**



Ground Spike Supplied

CX-644-BK 8 1/2" x 1/2" Slotted Plastic Spike, **Black** (Included with fixture)



Optional Ground Spikes

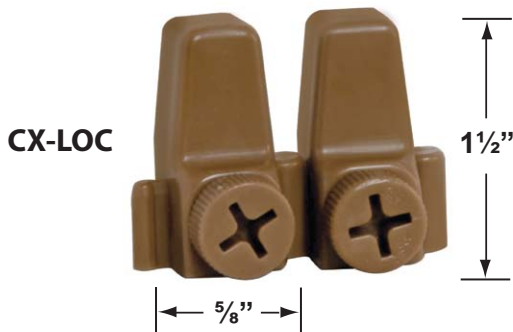
CX-646-BR 8" h x 1/2" w Brass Spike, 1/2" NPT, **Natural Brass**

CX-650-BZ 8 1/2" h x 3" w Slotted ABS Spike with Brass Threads, 1/2" NPT, **Bronze**



Cable Connectors

CX-LOC Quick-locking Cable Connectors, **Tan** ([Installation Instructions](#))



Transformers

- T-LTF60 60W, 12V, Compact Mini Transformer
- T-LT75 75W, 12 and 15V, Single Circuit Transformer w/ Integrated Mechanical Timer.
- T-LT150 150W, 12-15V, Single Circuit Transformer.
- T-LT300 300W, 12-15V, Single Circuit Transformer.
- T-LT600 600W, 12-15V, Dual Circuit Transformer.
- T-LT900 900W, 12-22V, Triple Circuit Transformer.
- T-FIDT Field Installed Plug-in Digital Timer.
- T-FIT Field Installed Plug-in Mechanical Timer.
- T-TR-FIP Field Installed Plug-in Photocell



T-LT300



Dimmers

CX-DIM-100 100W, Low Voltage Dimmer Switch. Use with T-LT Series Transformers, **Black**

