

SPECIFICATION SHEET

PRODUCT # : CL-490-BK

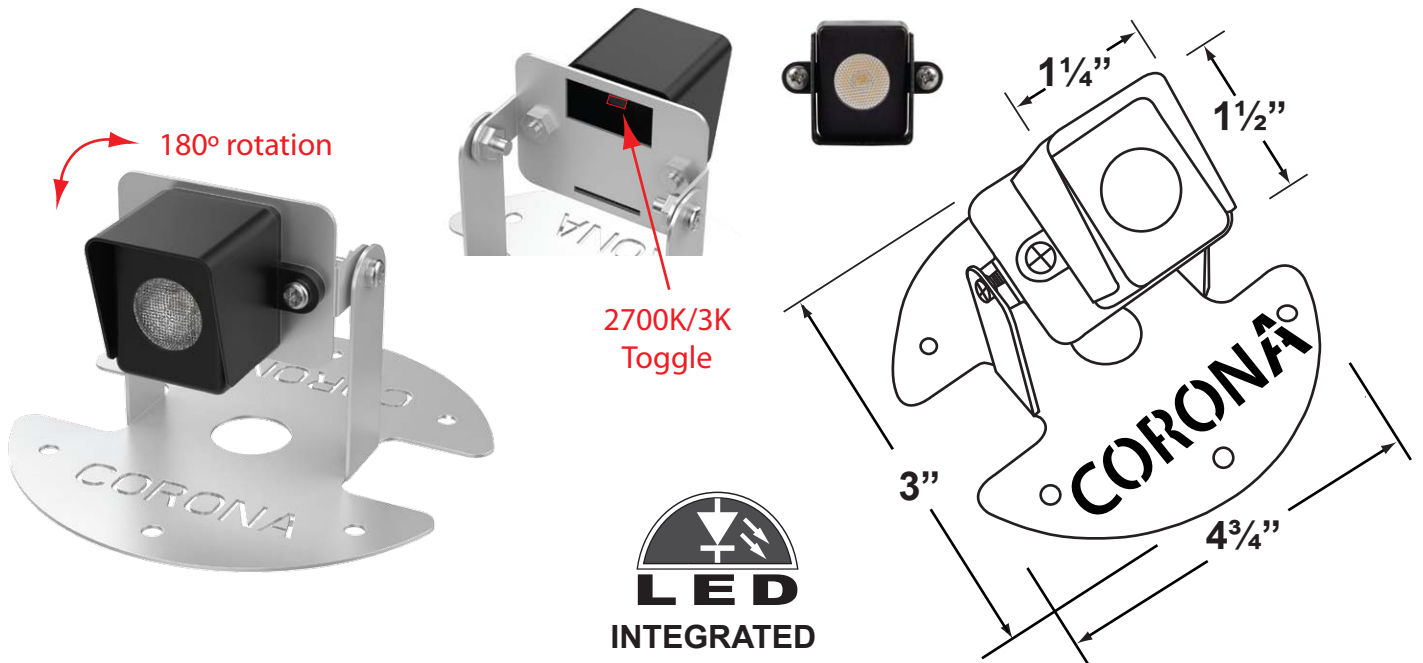
• Directional Lights

• Cast Brass

Fixture Specifications:

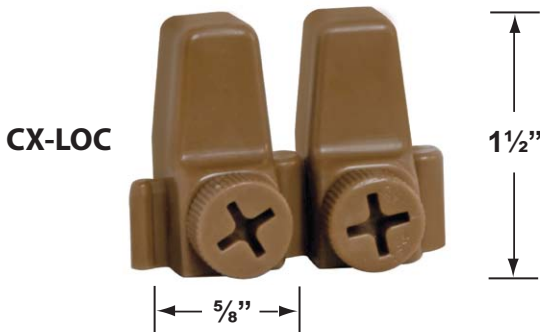
Housing: Corrosion resistant cast brass
Finish: BK-Black Brass
Lighting Source: Integrated LED module, Wattage: 3W, Beam Spread: 45°. Light Output: 230 Lumens. Color Temperature 2700K/3000K adjustable with switch button.
Wiring: Fixture is prewired with a 10ft SPT-1W wire. Wire connector sold separately. Quick-locking connectors (**CX-LOC**) are available, see below for information.
Mounting: 304 Stainless Steel, Directional/Underwater bracket, rotates 180° for light control

Rating: IP68.
Applications: Suitable for "SHALLOW" fountains, ponds, waterfalls, stone lanterns, Rock Beds, Any place a small beam of light is needed. Do not use in Swimming Pools, lakes or spas. Glare Shield are included.
Electrical Notes: 3W LED is dimmable. A remote 12V magnetic transformer is required. Options are available, see page 2 for information. t for use with electronic transformers. Voltage range for LED module is: 9-17V Ambient temperature: -22°F to 176°F CRI: >85 Proper grease/lubricant is suggested on threaded parts during installation process.
Warranty: 10 year warranty, with a rated life of 50,000 hours.



Cable Connectors

CX-LOC Quick-locking Cable Connectors, Tan
[\(Installation Instructions\)](#)



JOB INFORMATION

TYPE: _____ DATE: _____
 JOB NAME & ADDRESS: _____
 PRODUCT #: _____
 TOTAL QUANTITY: _____
 LAMP TYPE & WATTAGE: _____
 TRANSFORMER: _____
 CONTRACTOR: _____
 SPECIFIER: _____

PRODUCT # : CL-490-BK

• Directional Lights

• Cast Brass

Stainless Steel Pool and Spa Rated Transformers

- T-LTF60 60W, 12V, Compact Mini Transformer
- T-LT75 75W, 12 and 15V, Single Circuit Transformer w/ Integrated Mechanical Timer.
- T-LT150 150W, 12-15V, Single Circuit Transformer.
- T-LT300 300W, 12-15V, Single Circuit Transformer.
- T-LT600 600W, 12-15V, Dual Circuit Transformer.
- T-LT900 900W, 12-22V, Triple Circuit Transformer.
- T-FIDT Field Installed Plug-in Digital Timer.
- T-FIT Field Installed Plug-in Mechanical Timer.
- T-TR-FIP Field Installed Plug-in Photocell



T-LT75



T-LT150



T-FIDT



T-LT300



T-TR-FIP

Dimmers

- CX-DIM-100 100W, Low Voltage Dimmer Switch.
Use with T-LT Series Transformers, **Black**



CX-DIM-100



T-LT600