

SPECIFICATION SHEET

PRODUCT # : L-ED16-6W-CCT

Color Temperature Changing, Zoning, and Dimming

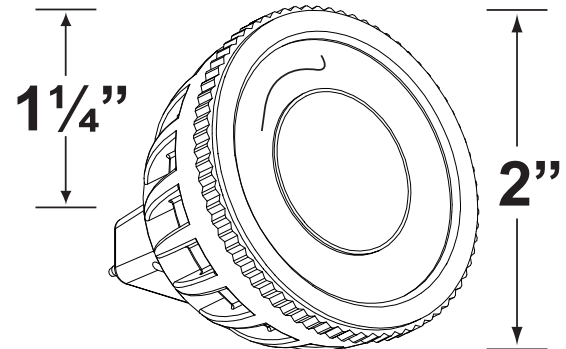
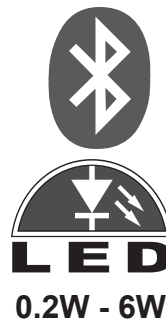
• Smart CCT Lamps

• Aluminum

Fixture Specifications:

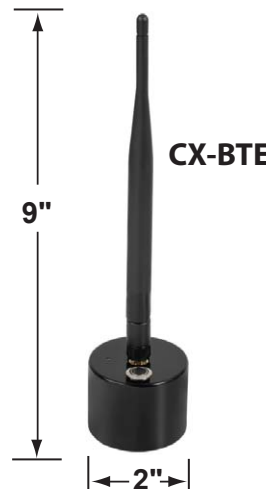
Housing: Aluminum
Antenna: External, 2.4 ghz
Lens: Polycarbonate Plastic
Socket: MR-16 Bi-Pin
Wattage: 0.2W - 6W
Lumen Output: 25 LM - 550 LM
LED Features: CCT Options: Presets: 2200K, 2700K, 3000K, 4000K, 5000K, 5700K
 Dimming: With every color temperature
 Scenes: Customizable scenes with up to 8 color temperatures.
 Compatibility: Amazon's Alexa* and Google Home*
 (*CX-BTG gateway required, see below)

Connection: Bluetooth Mesh Technology.
Range Extender (CX-BTE) is highly recommended, see below for details.
Halogen Eqiv: 50 Watts
Beam Spreads: 36° Standard, (24°, 60° & 100° optics included)
Ambient Temp: -13° F to 140° F
Rated Hours: 50,000
CRI: >85, 7.5VA
IP Rating: IP40
Color Temp: 2200K - 5700K CCT
Operating Voltage: 9V - 17V AC/DC
Warranty: Five (5) Years Warranty against manufacturer's defects.



SMART ACCESSORIES

CX-BTE Bluetooth Range Extender
 CX-BTG Wireless Bluetooth Mesh Gateway



Lumens per Color Temp

COLOR TEMPERATURE	LUMENS (LM)
2200K	___ LM
2700K	___ LM
3000K	___ LM
4000K	___ LM
5000K	___ LM
5700K	___ LM