

# SPECIFICATION SHEET

## PRODUCT # : CL-121-WH

•Down Lights

•Machined Aluminum

### Fixture Specifications:

**Housing:** Corrosion resistant machined aluminum.

**Finish:** **WH- White.** Smooth surface (no texture) polyester UV powder coated.  
*Also available in BK- Black & BZ- Bronze*

**Lens:** Clear, tempered, and heat resistant glass.

**Socket:** Top grade fixed ceramic bi-pin socket, with lamp retention clip to securely hold lamp in place.

**Lamp:** 12V, MR-16 LED  
 Available in 3.5W, 5W, 6W or without lamp.  
 See lamp guide, below for more information.

**Wiring:** Fixture is prewired with a 3ft 18-2 SPT1-W direct burial cord and underground connectors.

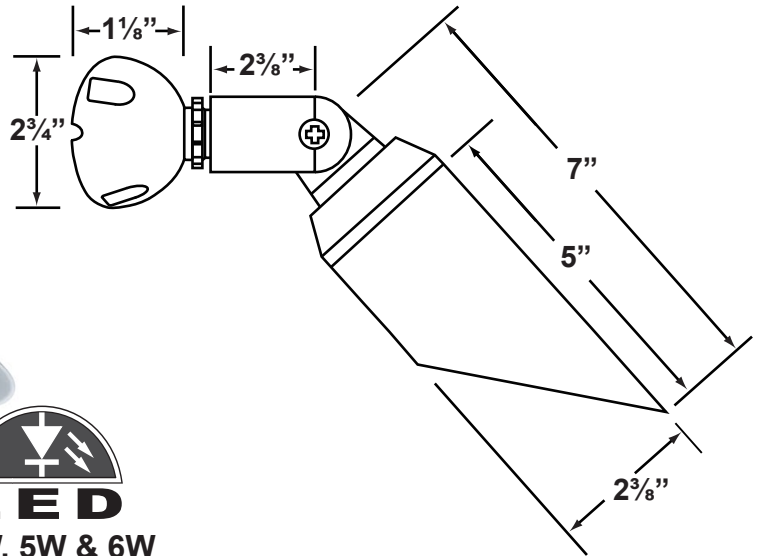
**Gasket:** Silicone double gasket for water tight sealing.

**Knuckle:** Adjustable machined aluminum knuckle with Stainless Steel Philips screw and 1/2" NPT threaded male hub

**Mounting:** Aluminum Raised Canopy 1/2" NPT threaded female hub.

**Electrical Notes:** A remote 12V transformer is required. Options are available from Corona Lighting.  
 Voltage range for LED lamps are 9V-17V.  
 Proper grease/lubricant is suggested on threaded parts during installation process.

**Warranty:** Ten (10) year warranty on fixture housing against manufacturer's defects.



**3.5W, 5W & 6W**

### AVAILABLE LED LAMPS (Corona LED lamps have a five (5) year limited warranty against manufacturer's defects)

LAMP NUMBER	WATTS	BEAM		COLOR & TEMP.	RATED HOURS	HALOGEN EQUIVALENT
		SPREAD	LUMEN			
L-ED16-3W-SP	3.5	15° Spot	270	2700K	50,000	25 Watt
L-ED16-3W-FL	3.5	45° Flood	270	2700K	50,000	25 Watt
L-ED16-3W-WF	3.5	60° Wide Flood	270	2700K	50,000	25 Watt
L-ED16-5W-SP	5	15° Spot	350	2700K	50,000	40 Watt
L-ED16-5W-FL	5	45° Flood	350	2700K	50,000	40 Watt
L-ED16-5W-WF	5	60° Wide Flood	350	2700K	50,000	40 Watt
L-ED16-COB5W-SP	5	15° Spot	450/470	2700K/3000K	50,000	50 Watt
L-ED16-COB5W-FL	5	38° Flood	450/470	2700K/3000K	50,000	50 Watt
L-ED16-COB5W-WF	5	60° Wide Flood	450/470	2700K/3000K	50,000	50 Watt
L-ED16-6W-SP	6	15° Spot	600	2700K/3000K	50,000	75 Watt
L-ED16-6W-FL	6	38° Flood	600	2700K/3000K	50,000	75 Watt
L-ED16-6W-WF	6	60° Wide Flood	600	2700K/3000K	50,000	75 Watt

▪ Single color MR-16 LED available in AMBER, BLUE, GREEN, PURPLE, RED and VIOLET

### JOB INFORMATION

TYPE: \_\_\_\_\_ DATE: \_\_\_\_\_

JOB NAME & ADDRESS: \_\_\_\_\_

PRODUCT #: \_\_\_\_\_

TOTAL QUANTITY: \_\_\_\_\_

LAMP TYPE & WATTAGE: \_\_\_\_\_

TRANSFORMER: \_\_\_\_\_

CONTRACTOR: \_\_\_\_\_

SPECIFIER: \_\_\_\_\_

• When ordering LED lamp with a fixture your part number should follow the format below:

• **CL** - **product #** - **lamp** - **wattage** - **lamp angle**

**CL - 121-WH - L-ED16 - 5W - FL**

Example: CL-121-WH-L-ED16-5W-FL

• Corona Lighting reserves the right to make any change and/or improvement to the design and construction of this fixture without further notification.

# ACCESSORIES SHEET

## PRODUCT # : CL-121-WH

•Directional Lights

•Machined Aluminum

### Mounting Risers

- CX-671 6" Aluminum Riser, ½ NPT Male/Female  
Finishes: **BK**- Black, **BZ**- Bronze, **WH**- White
- CX-672 12" Aluminum Riser, ½ NPT Male/Female  
Finishes: **BK**- Black, **BZ**- Bronze, **WH**- White
- CX-673 18" Aluminum Riser, ½ NPT Male/Female  
Finishes: **BK**- Black, **BZ**- Bronze, **WH**- White



CX-671-BK 6"



CX-672-BK 12"



CX-673-BK 18"

### Mounting Posts For Sign Light & Path Light Applications

- CX-678 24" Aluminum Single Head Post, **BK**-Black, **BZ**-Bronze
- CX-679 24" Aluminum Double Head Post, **BK**-Black, **BZ**-Bronze
- CX-690 18" Aluminum Single Head Post, **BK**-Black, **BZ**-Bronze
- CX-693 18" Aluminum Double Head Post, **BK**-Black, **BZ**-Bronze



• CX-718 (Mounting Canopies pg 2) is required for sign light installation.

### Mounting Canopies

- CX-709 Aluminum Raised Canopy, ½" NPT.  
Finishes: **BK**- Black, **BZ**- Bronze, **WH**- White
- CX-718 5" Aluminum Canopy, 3-Hole ½" NPT.  
Finishes: **BK**- Black, **BZ**- Bronze
- CX-721 Aluminum Tree mount Canopy with 15" Rubber Strap stretches to 22"  
Finishes: **BK**- Black, **BZ**- Bronze, **WH**- White
- CX-722 Aluminum Tree mount Canopy with 22" Rubber Strap stretches to 33"  
Finishes: **BK**- Black, **BZ**- Bronze, **WH**- White
- CX-723 Aluminum Tree mount Canopy with 31" Rubber Strap stretches to 45"  
Finishes: **BK**- Black, **BZ**- Bronze, **WH**- White



CX-718-BZ

CX-709-WH

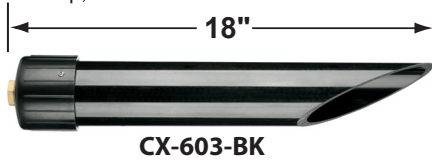
## PRODUCT # : CL-121-WH

•Directional Lights

•Machined Aluminum

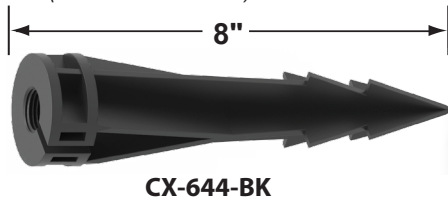
### Mounting Pedestals

CX-603-BK 3" PVC Mounting Pedestal, 1/2" NPT Female Brass Hub on top, **Black**



### Ground Spikes

CX-644-BK 8 1/2" x 1/2" Slotted Plastic Spike, **Black** (Included with fixture)



CX-646-BR 8" ABS Spike, 1/2" NPT, **Natural Brass**

CX-647-BK 10.5" Heavy Duty ABS Spike, 1/2" NPT, **Black**

### Special Lenses & Honeycomb Louvers

- CX-238 MR-16 Snap-on holder, **Silver Plated**
- CX-239 MR-16 honeycomb louver, **Black**
- CX-240-AM MR-16 color lens, **Amber**
- CX-240-BL MR-16 color lens, **Blue**
- CX-240-GR MR-16 color lens, **Green**
- CX-240-RD MR-16 color lens, **Red**
- CX-240-YL MR-16 color lens, **Yellow**
- CX-241 MR-16 lens, **Linear Spread**
- CX-242 MR-16 lens, **Frosted**
- CX-243 MR-16 lens, **Prismatic**

*For MR-16 Lenses and Louvers, you will need the CX-238*



### Transformers

- T-LTF60 60W, 12V, Compact Mini Transformer
- T-LT75 75W, 12 and 15V, Single Circuit Transformer w/ Integrated Mechanical Timer.
- T-LT150 150W, 12-15V, Single Circuit Transformer.
- T-LT300 300W, 12-15V, Single Circuit Transformer.
- T-LT600 600W, 12-15V, Dual Circuit Transformer.
- T-LT900 900W, 12-22V, Triple Circuit Transformer.
- T-FIDT Field Installed Plug-in Digital Timer.
- T-FIT Field Installed Plug-in Mechanical Timer.
- T-TR-FIP Field Installed Plug-in Photocell



**T-LT150**



### Dimmers

- CX-DIM-100 100W, Low Voltage Dimmer Switch. Use with T-LT Series Transformers, **Black**

**CX-DIM-100**

