

SPECIFICATION SHEET

PRODUCT # : CL-336

•Well Lights

•Stainless Steel

Fixture Specifications:

Housing: Stainless steel adjustable fixture, suspended inside a reversible PVC sleeve with both flat and angle-cut options on either end.

Finish: Fixture is naturally finished in stainless steel, and Black PVC sleeve.

Socket: Top grade adjustable (25° tilt), ceramic screw-in terminal

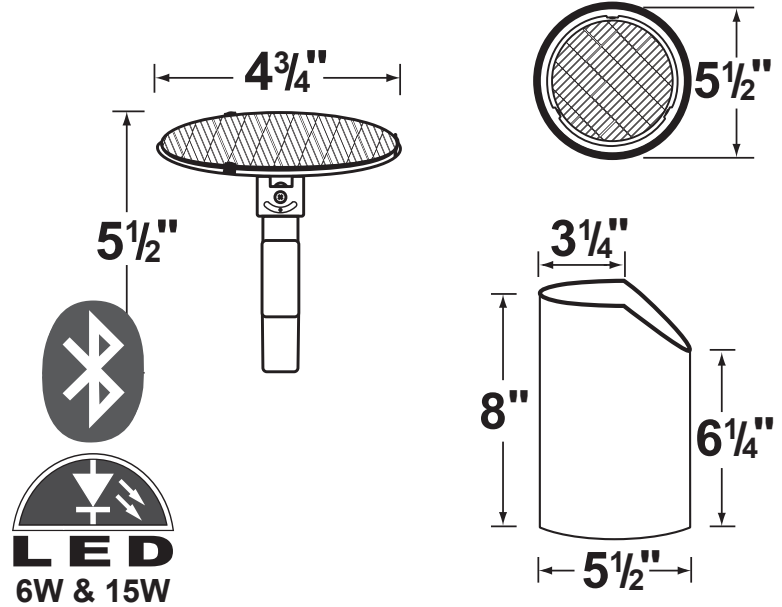
Lamp: 12V, PAR36 LED
Available in 15W Bluetooth mesh smart RGB-WW, or CCT; 5 / 10 / 15W (adjustable), 6W economy LED or without lamp. See Lamp Guide below for more information.

Wiring: Fixture is prewired with a 5ft 18-2 SJT-W direct burial cord. Wire connector sold separately. Quick-locking connectors (**CX-LOC**) are available from Corona Lighting.

Mounting: In-ground direct burial or concrete encasement. Use gravel for proper drainage. Angle-cut end required when installed 3" above ground surface.

Electrical Notes: A remote 12V transformer is required. Options are available from Corona Lighting. Voltage range for lamps are 9V-17V. Proper grease/lubricant is suggested on threaded parts during installation process.

Warranty: Limited lifetime warranty on fixture only, against manufacturer's defects.



AVAILABLE LED LAMPS

LAMP NUMBER	WATTS	BEAM		COLOR & TEMP.	RATED HOURS	HALOGEN EQUIVALENT
		SPREAD	LUMEN			
Premium LED Lamps <i>(Premium LED lamps have a five (5) year limited warranty against manufacturer's defects)</i>						
L-ED36-15W-BT	1-15	15° / 38° / 60° / 100°	25-1200	2200K-5700K	50,000	100W
L-ED36-15W-CCT	0.2-15	15° / 38° / 60° / 100°	25-1200	2200K-5700K	50,000	100W
L-ED36-15W-ADJ	Push Button Adjustable Modes below:					
5W-Mode	5	15° / 38° / 60° / 100°	450	2700K / 3000K	50,000	40W
10W- Mode	10	15° / 38° / 60° / 100°	800	2700K / 3000K	50,000	75W
15W- Mode	15	15° / 38° / 60° / 100°	1200	2700K / 3000K	50,000	100W
Economy LED Lamps <i>(Economy LED lamps have a three (3) year limited warranty against manufacturer's defects)</i>						
L-ED36-6WEC-FL	6	38°	630	2700K	50,000	35W
L-ED36-6WEC-FL-3K	6	38°	700	3000K	50,000	35W

JOB INFORMATION

TYPE: _____ DATE: _____

JOB NAME & ADDRESS: _____

PRODUCT #: _____

TOTAL QUANTITY: _____

LAMP TYPE & WATTAGE: _____

TRANSFORMER: _____

CONTRACTOR: _____

SPECIFIER: _____

*-Bluetooth connection ●-Color changing

For more additional Lamps, and accessories visit Coronalighting.com

• When ordering LED lamp with a fixture your part number should follow the format below:

• **CL** - **product #** - **lamp** - **wattage** - **lamp angle**

CL - 336 - L-ED36 - 6WEC - FL

Example: CL-336-L-ED36-6WEC-FL

• Corona Lighting reserves the right to make any change and/or improvement to the design and construction of this fixture without further notification.

ACCESSORIES SHEET

PRODUCT # : CL-336

• Well Lights

• Stainless Steel

Stainless Steel Pool and Spa Rated Transformers

- T-LTF60 60W, 12V, Compact Mini Transformer
- T-LT75 75W, 12 and 15V, Single Circuit Transformer w/ Integrated Mechanical Timer.
- T-LT150 150W, 12-15V, Single Circuit Transformer.
- T-LT300 300W, 12-15V, Single Circuit Transformer.
- T-LT600 600W, 12-15V, Dual Circuit Transformer.
- T-LT900 900W, 12-22V, Triple Circuit Transformer.
- T-FIDT Field Installed Plug-in Digital Timer.
- T-FIT Field Installed Plug-in Mechanical Timer.
- T-TR-FIP Field Installed Plug-in Photocell



T-LT75



T-FIDT

Faceplates

- CX-880B-AB Brass Louvered Coverplate



6 1/2"



T-LT300



T-TR-FIP

Dimmers

- CX-DIM-100 100W, Low Voltage Dimmer Switch. Use with T-LT Series Transformers, **Black**



CX-DIM-100

Cable Connectors

- CX-LOC Quick-locking Cable Connectors, **Tan** ([Installation Instructions](#))



1 1/2"

5/8"

CX-LOC