



WWW.CORONALIGHTING.COM

1633 Staunton Ave
Los Angeles, CA 90021
TEL. (800) 727-9262 FAX. (800) 727-9957
(213) 747-4500 (213) 747-3234

ARCHITECTURAL GRADE SERIES

SPECIFICATION SHEET

E-Mail: sales@coronalighting.com

PRODUCT # : CL-313-BR

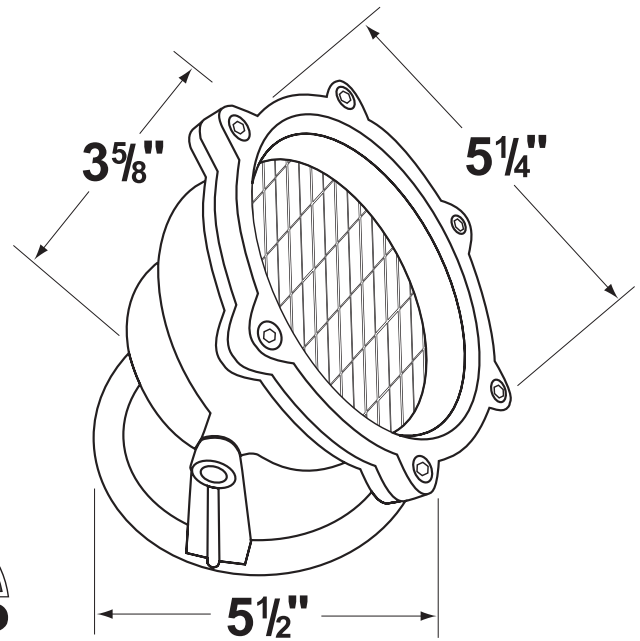
• Underwater Light

• Brass

Fixture Specifications:

Housing: Solid Brass
Finish: BR- Natural Brass
Lens: Clear, tempered, and heat resistant glass. Lens is fully sealed for underwater usage.
Socket: PAR36 Screw Terminal
Lamp: 12V, PAR36 LED
 Available in 5 / 10 / 15W (adjustable), 6W economy LED or without lamp. See Lamp Guide below for more information.
Gasket: Silicone "O" ring seals faceplate to housing providing water tight protection.

Wiring: Fixture is prewired with a 30ft 18-2 SJT-W water resistant cord. Other cord lengths are also available.
Mounting: Fully adjustable mounting arms to provide light aiming. Fixture is mounted on a heavy duty round base for firm and stable underwater placement.
Electrical Notes: A remote 12V transformer is required. Options are available from Corona Lighting. Voltage range for LED lamps are 9V-17V.
Applications: To be installed in waterfalls, shallow ponds and Do not use in swimming pools, lakes or spas. Fountains.
Warranty: Limited lifetime warranty on faceplate against manufacturer's defects.



AVAILABLE LED LAMPS

LAMP NUMBER	WATTS	BEAM		COLOR & TEMP.	RATED HOURS	HALOGEN EQUIVALENT
		SPREAD	LUMEN			
Premium LED Lamps <i>(Premium LED lamps have a five (5) year limited warranty against manufacturer's defects)</i>						
L-ED36-15W-ADJ	Push Button Adjustable	Modes below:				
5W-Mode	5	15° / 38° / 60° / 100°	450	2700K / 3000K	50,000	40W
10W- Mode	10	15° / 38° / 60° / 100°	800	2700K / 3000K	50,000	75W
15W- Mode	15	15° / 38° / 60° / 100°	1200	2700K / 3000K	50,000	100W
Economy LED Lamps <i>(Economy LED lamps have a three (3) year limited warranty against manufacturer's defects)</i>						
L-ED36-6WEC-FL	6	38°	630	2700K	50,000	35W
L-ED36-6WEC-FL-3K	6	38°	700	3000K	50,000	35W

For more additional Lamps, and accessories visit Coronalighting.com

JOB INFORMATION

TYPE: _____ DATE: _____
 JOB NAME & ADDRESS: _____
 PRODUCT #: _____
 TOTAL QUANTITY: _____
 LAMP TYPE & WATTAGE: _____
 TRANSFORMER: _____
 CONTRACTOR: _____
 SPECIFIER: _____

• When ordering a halogen lamp add lamp number to the product number. If you are ordering LED lamps you should follow the format below:

• CL - product # - lamp - wattage - lamp angle Example: CL-313-BR-L-ED36-6WEC-FL
 CL - 313-BR - L-ED36 - 6WEC - FL

• Corona Lighting reserves the right to make any change and/or improvement to the design and construction of this fixture without further notification.

PRODUCT # : CL-313-BR

• Underwater Lights

• Brass

Stainless Steel Pool and Spa Rated Transformers

- T-LTF60 60W, 12V, Compact Mini Transformer
- T-LT75 75W, 12 and 15V, Single Circuit Transformer w/ Integrated Mechanical Timer.
- T-LT150 150W, 12-15V, Single Circuit Transformer.
- T-LT300 300W, 12-15V, Single Circuit Transformer.
- T-LT600 600W, 12-15V, Dual Circuit Transformer.
- T-LT900 900W, 12-22V, Triple Circuit Transformer.
- T-FIDT Field Installed Plug-in Digital Timer.
- T-FIT Field Installed Plug-in Mechanical Timer.
- T-TR-FIP Field Installed Plug-in Photocell



T-LT75



T-LT150



T-LT300



T-FIDT



T-TR-FIP



T-LT600

Dimmers

- CX-DIM-100 100W, Low Voltage Dimmer Switch. Use with T-LT Series Transformers, **Black**



CX-DIM-100