

CL-399-BZ

LED Integrated Rail Light

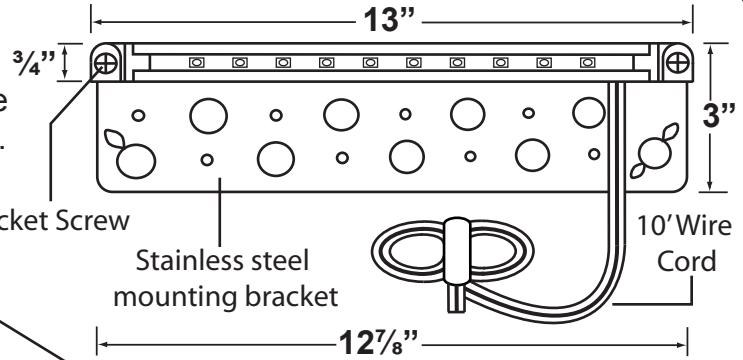
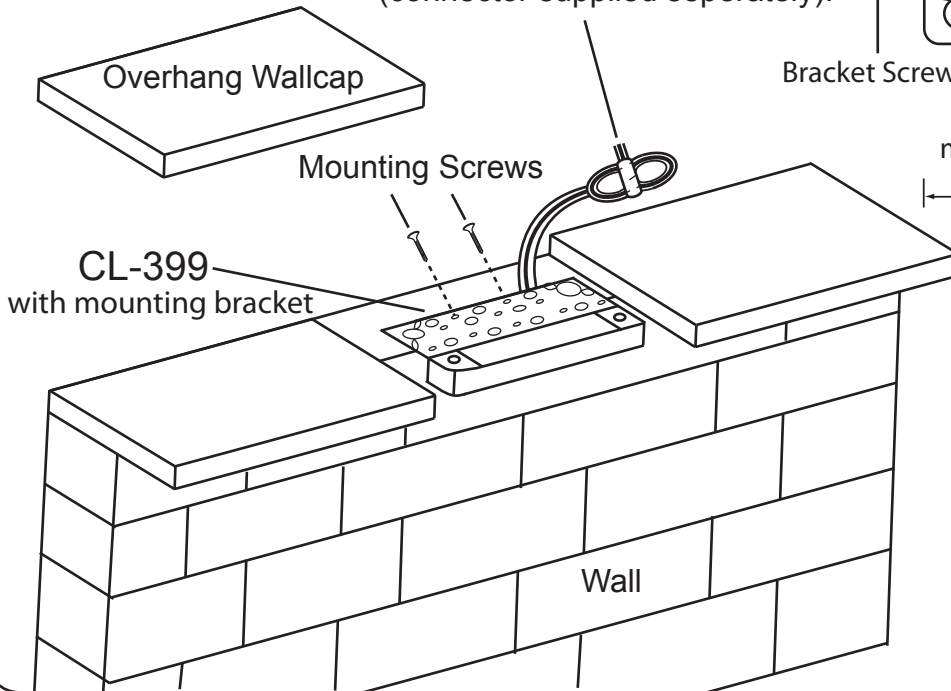
• **WARRANTY**- Ten years warranty from date of invoice.
• **RATED LIFE**- 50,000 hours

Please read carefully before installation
SAVE THESE INSTRUCTIONS

ASSEMBLY/INSTALLATION INSTRUCTION

1 Installation with mounting bracket

Connect wire cord to main cable (connector supplied separately).



Assembly Instructions

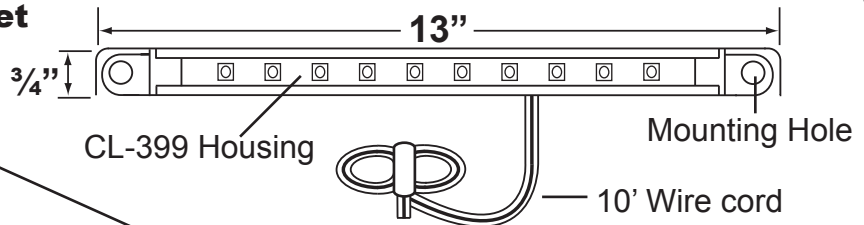
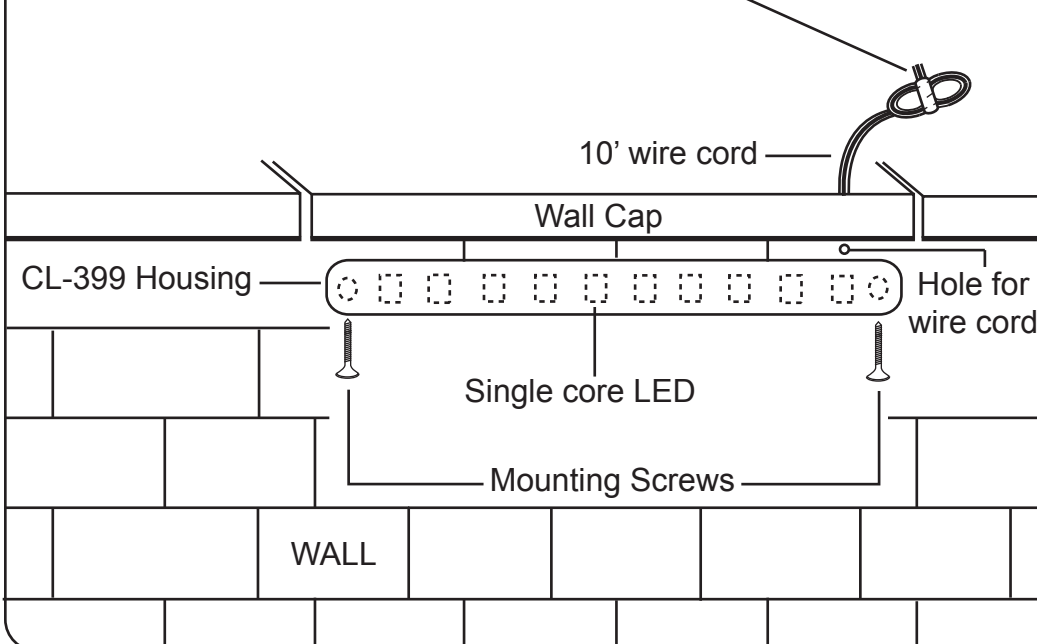
- Mount the fixture, by inserting two (2) screws, through the two (2) small holes on the stainless steel mounting bracket, as shown. Get the wire cord out of wall and connect to main cable. Then, connect main cable to power unit.

Installation Instructions

- Fixture should **"ONLY"** be used with low voltage landscape power units that do not exceed 25A, 18V
- The power units reduce the voltage from 120 volt to 12 volt.

2 Installation without mounting bracket

Connect wire cord to main cable (connector supplied separately).



Assembly Instructions

- Drill a hole on wall and get the wire cord through the hole and out the wall.
- Remove the stainless steel bracket from the fixture and mount the housing with two (2) screws on ceiling of wall cap. Connect the wire cord to the main cable. Then, connect main cable to power unit.

Installation Instructions

- Fixture should **"ONLY"** be used with low voltage landscape power units that do not exceed 25A, 18V
- The power units reduce the voltage from 120 volt to 12 volt.