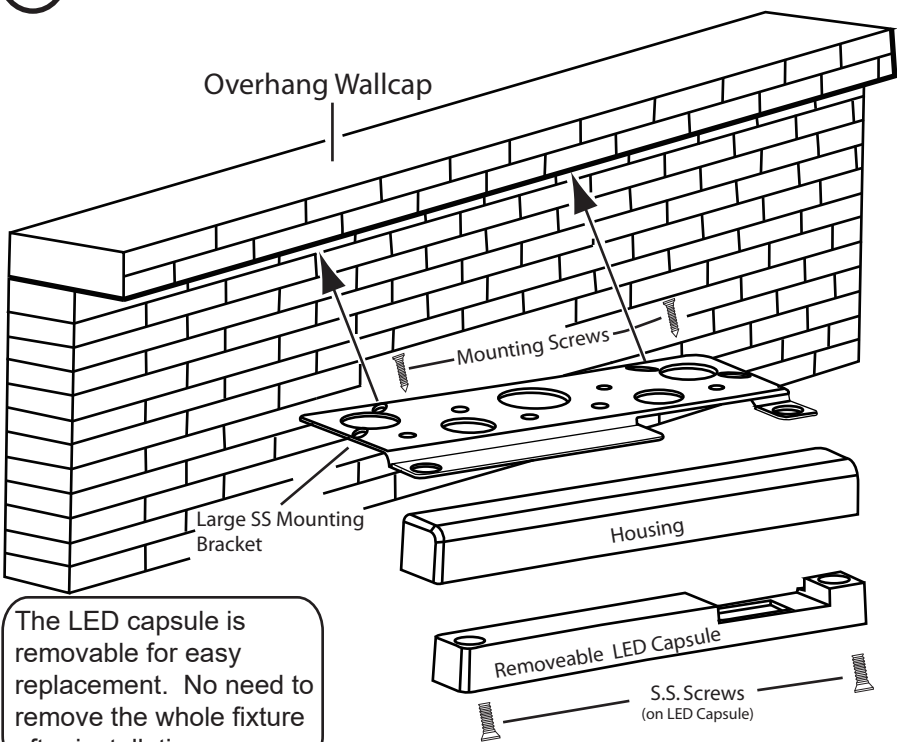


- CL-298-BZ-27K- (2700 Kelvin)
- CL-298-BZ-3K- (3000 Kelvin)

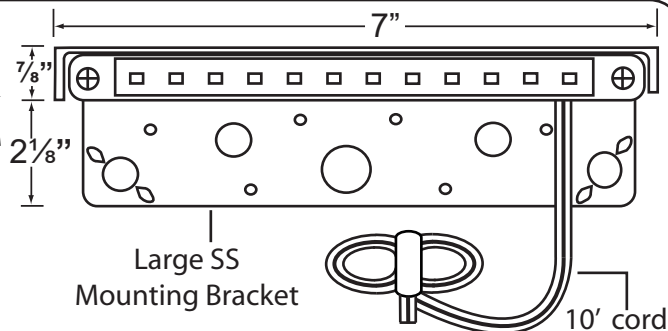
- **WARRANTY-** Ten years warranty from date of invoice.
- **RATED LIFE-** 50,000 hours

ASSEMBLY/INSTALLATION INSTRUCTION

1 Installation with large SS mounting bracket



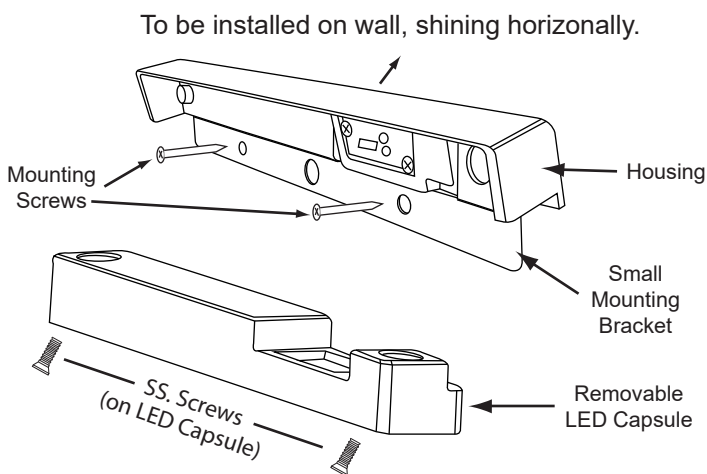
The LED capsule is removable for easy replacement. No need to remove the whole fixture after installation.



Assembly & Installation Instructions

- Remove the LED Capsule by unscrewing 2 SS screws. Keep large bracket inserted on the housing.
- Get the cord out of wall and install large bracket under wallcap by two mounting screws
- Install the LED Capsule into the housing by two SS capsule screws.
- Connect the main cable to fixture cord by using UL listed wire connector (supplied separately).
- Fixture should "ONLY" be used with low voltage landscape power units that do not exceed 25A, 18V. The power unit reduces the voltage from 120V to 12 volts.
- This fixture should be used above ground ONLY.

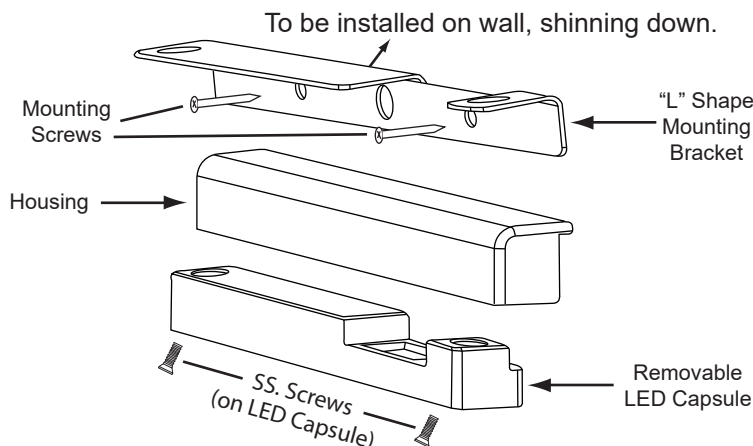
2 Installation with "Small" Bracket



Assembly & Installation Instructions

- Remove LED capsule and large SS Bracket
- Insert "small" bracket into the housing, get the cord out of the wall and install the bracket on the wall by 2 mounting screws.
- Install the LED capsule into the housing by SS 2 screws.
- Connect the main cable to fixture cord by using UL wire connector (supplied separately).

3 Installation with "L" Shape Bracket



Assembly & Installation Instructions

- Remove LED Capsule and large SS Bracket.
- Insert "L" bracket into the housing, get the cord out of the wall and install the "L" bracket on wall by 2 mounting screws
- Install the LED capsule into the housing by 2 SS capsule screws.
- Connect the main cable to fixture cord by using UL wire connector (supplied separately)