

S.C. Bayonet LED LAMPS SPECIFICATION SHEET

PRODUCT # : L-EDBA-2W

LED Lamp Specifications:

Effective Wattage: 2 Watts
Color Temperature: 2700K Warm White
Light Output: 200 Lumens
Available Beam Spread: 360°
Feature: Dimmable
Rated Life: 25,000 Hours
IP Rating: IP67
Halogen Equivalent: 20 Watts
Operating Voltage: 8-21V AC/DC
Ambient Temperature: -4°F to 104°F
CRI: Minimum 80
Warranty: 5 Years

PRODUCT # : L-EDBA-2W-3K

LED Lamp Specifications:

Effective Wattage: 2 Watts
Color Temperature: 3000K Cool White
Light Output: 210 Lumens
Available Beam Spread: 360°
Feature: Dimmable
Rated Life: 25,000 Hours
IP Rating: IP67
Halogen Equivalent: 20 Watts
Operating Voltage: 8-21V AC/DC
Ambient Temperature: -4°F to 104°F
CRI: Minimum 80
Warranty: 5 Years

PRODUCT # : L-EDBA-2.5W

LED Lamp Specifications:

Effective Wattage: 2.5 Watts
Color Temperature: 2700K Warm White
Light Output: 240 Lumens
Available Beam Spread: 180°
Feature: Dimmable
Rated Life: 25,000 Hours
IP Rating: IP67
Halogen Equivalent: 35 Watts
Operating Voltage: 8-21V AC/DC
Ambient Temperature: -4°F to 104°F
CRI: Minimum 80
Warranty: 5 Years

PRODUCT # : L-EDBA-2.5W-3K

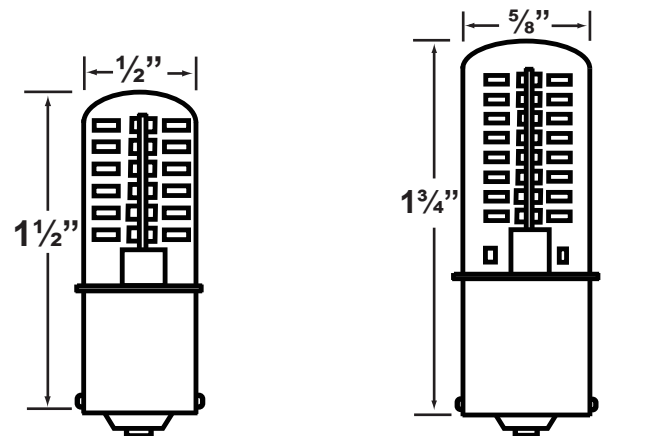
LED Lamp Specifications:

Effective Wattage: 2.5 Watts
Color Temperature: 3000K Cool White
Light Output: 250 Lumens
Available Beam Spread: 180°
Feature: Dimmable
Rated Life: 25,000 Hours
IP Rating: IP67
Halogen Equivalent: 35 Watts
Operating Voltage: 8-21V AC/DC
Ambient Temperature: -4°F to 104°F
CRI: Minimum 80
Warranty: 5 Years

PRODUCT # : L-EDBA-AM

LED Lamp Specifications:

Effective Wattage: 2 Watts
Color Temperature: 2000K Amber Color
Light Output: 170 Lumens
Available Beam Spread: 360°
Feature: Dimmable
Rated Life: 25,000 Hours
IP Rating: IP67
Halogen Equivalent: 20 Watts
Operating Voltage: 10-18V AC/DC
Ambient Temperature: -4°F to 104°F
CRI: Minimum 80
Warranty: 5 Years



2 Watts S. C. Bayonet LED

2.5 Watts S. C. Bayonet LED