

# SPECIFICATION SHEET

## PRODUCT # : CL-705

•Path Lights

• Steel

### Fixture Specifications:

**Housing:** Brass lens holder

**Stem:** Steel tubing stem, with decorative leaves.

**Finish:** Polyester UV powder coated, available in **BK- Black**

**Lens:** Glass tulip, only available in **WH- White**  
*When ordering, add the two letter color code of glass color of the end of product number.*

**Socket:** S.C. bayonet socket, with easy tool free lamp access.

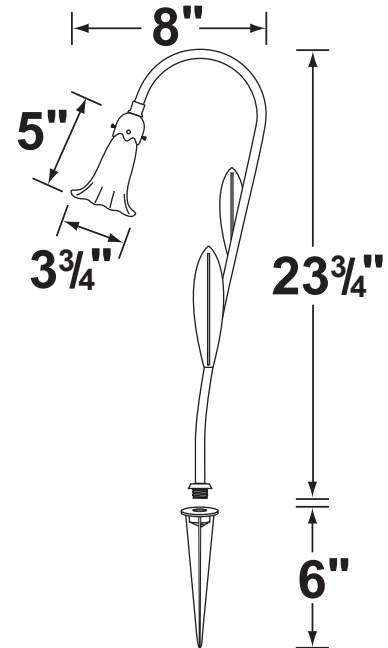
**Lamp:** 12 volt, S.C Bayonet [num.]W Max. L-SCB-1141 (18W) standard. LED lamps available in 2W and 2.5W, with 2700K-warm white or 3000K-cool white color temperature. Xenon and halogen lamps also available.

**Wiring:** Fixture is prewired with a 3ft 18-2 SPT2-W direct burial cord. Wire connector sold separately. Universal connector (**CX-839**) or gel filled wire nut (**CX-854**) is available from Corona Lighting.

**Mounting Spike:** 6" Black aluminum spike with 1/2" NPT threaded female hub.

**Electrical Notes:** A remote 12V transformer is required. Options are available from Corona Lighting. Voltage range for 12V halogen lamps are 11V-12.5V. Voltage range for LED lamps are 10V-18V. Proper grease/lubricant is suggested on threaded parts during installation process.

**Warranty:** One (1) year warranty on fixture and stem against manufacturer's defects.



### AVAILABLE LED LAMPS (Corona LED lamps have a five (5) year limited warranty against manufacturer's defects)

LAMP NUMBER	WATTS	BEAM		COLOR & TEMP.	RATED HOURS	HALOGEN EQUIVALENT
		SPREAD	LUMEN			
L-EDBA-2W	2	360°	200	2700K	25,000	20 Watt
L-EDBA-2.5W	2.5	180°	240	2700K	25,000	35 Watt
L-EDBA-2W-3K	2	360°	210	3000K	25,000	20 Watt
L-EDT3-2.5W-3K	2.5	180°	250	3000K	25,000	35 Watt

### AVAILABLE HALOGEN LAMPS

LAMP NUMBER	WATTS	BEAM		COLOR & TEMP.	RATED HOURS
		SPREAD	LUMEN		
L-SCB-89	7		75	2700K	750
L-SCB-93	13		190	2700K	700
L-SCB-1141	18		265	2700K	1,500
L-SCB-1156	27		400	2700K	1,200

### AVAILABLE XENON LAMPS

LAMP NUMBER	WATTS	BEAM		COLOR & TEMP.	RATED HOURS
		SPREAD	LUMEN		
L-X10SC	10		120	2950K	10,000
L-X20SC	20		350	2950K	10,000

### JOB INFORMATION

TYPE: \_\_\_\_\_ DATE: \_\_\_\_\_

JOB NAME & ADDRESS: \_\_\_\_\_

PRODUCT #: \_\_\_\_\_

TOTAL QUANTITY: \_\_\_\_\_

LAMP TYPE & WATTAGE: \_\_\_\_\_

TRANSFORMER: \_\_\_\_\_

CONTRACTOR: \_\_\_\_\_

SPECIFIER: \_\_\_\_\_

• When ordering a halogen or xenon lamp add lamp number to the end of the product number. If you are ordering LED lamps you should follow the format below:

• CL - **product #** - **color** - **lamp** - **wattage**  
CL - 705 - BK - L-EDBA - 2W-3K

Example: CL-705-BK-L-EDBA-2W-3K

• Corona Lighting reserves the right to make any change and/or improvement to the design and construction of this fixture without further notification.