

SPECIFICATION SHEET

PRODUCT # : CL-648C-RC

•Area Lights

•Solid Copper

Fixture Specifications:

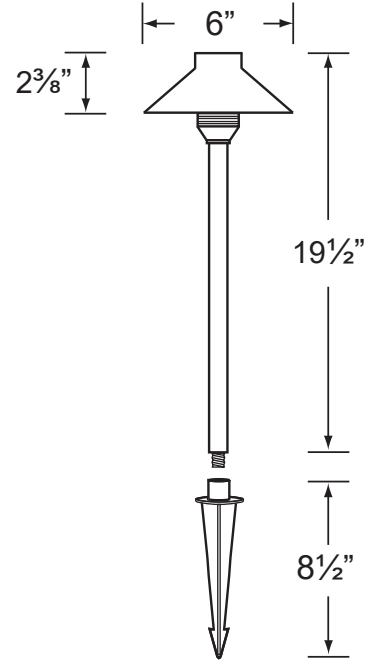
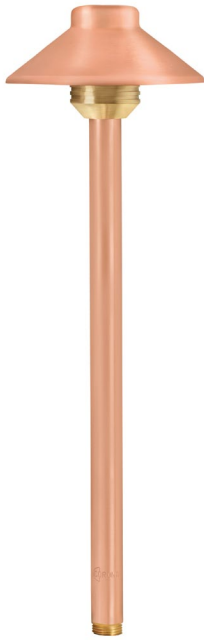
Housing: Corrosion resistant solid copper.
Stem: Solid copper pipe with 1/2" NPT on bottom.
Finish: RC- Raw Copper. Will age gradually over time.
Lens: Frosted polycarbonate, cover over lamp providing sprinkler water protection.
Socket: Top grade fixed ceramic bi-pin socket. Easy tool free lamp access.
Lamp: 12V, T3, 20W max.
 Available in LED (2W & 2.5W) or without lamp.
 See Lamp guide below for more information.

Wiring: Fixture is prewired with a 3-ft 18-2 SPT2-W direct burial cord. Wire connector sold separately Universal connector (CX-839), quick locking wire connector (CX-LOC) or silicone filled wire nut (CX-854) is available from Corona Lighting.

Mounting Spike: Standard injection molded spike with 1/2" NPT threaded female hub.

Electrical Notes: A remote 12V transformer is required. Options are available from Corona Lighting. Voltage range for LED lamps are 8V-21V. Some assembly needed. Proper grease/lubricant is suggested on threaded parts during installation.

Warranty: Limited lifetime warranty on fixture housing and stem against manufacturer's defects.



2W and 2.5W

AVAILABLE LED LAMPS (Corona LED lamps have a five (5) year limited warranty against manufacturer's defects)

| LAMP NUMBER | WATTS | BEAM | | COLOR & TEMP. | RATED HOURS | HALOGEN EQUIVALENT |
|----------------|-------|--------|-------|---------------|-------------|--------------------|
| | | SPREAD | LUMEN | | | |
| L-EDT3-2W | 2 | 360° | 200 | 2700K | 25,000 | 20 Watt |
| L-EDT3-2.5W | 2.5 | 180° | 240 | 2700K | 25,000 | 35 Watt |
| L-EDT3-2W-3K | 2 | 360° | 210 | 3000K | 25,000 | 20 Watt |
| L-EDT3-2.5W-3K | 2.5 | 180° | 250 | 3000K | 25,000 | 35 Watt |
| L-EDT3-AM* | 2 | 360° | 170 | 2000K | 25,000 | 20 Watt |

* AM- Amber color

For more additional Lamps, and accessories visit Coronalighting.com

JOB INFORMATION

TYPE: _____ DATE: _____

JOB NAME & ADDRESS:

PRODUCT #:

TOTAL QUANTITY:

LAMP TYPE & WATTAGE:

TRANSFORMER:

CONTRACTOR:

SPECIFIER:

• When ordering a halogen or xenon lamp add lamp number to the product number. If you are ordering LED lamps you should follow the format below:

• CL - product # - lamp - wattage

Example: CL-648C-RC-L-EDT3-2W-3K

CL - 648C-RC - L-EDT3 - 2W-3K

• Corona Lighting reserves the right to make any change and/or improvement to the design and construction of this fixture without further notification.

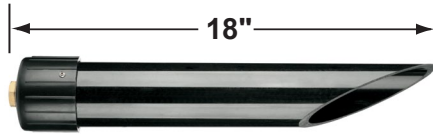
PRODUCT # :CL-648C-RC

• Area Lights

• Solid Copper

Mounting Pedestals

- CX-601-BK 1" PVC Mounting Pedestal, 1/2" NPT, **Black**
- CX-601-VG 1" PVC Mounting Pedestal, 1/2" NPT, **Verde Green**
- CX-603-BK 3" PVC Mounting Pedestal, 1/2" NPT Female Brass Hub on top, **Black**
- CX-603-VG 3" PVC Mounting Pedestal, 1/2" NPT Female Brass Hub on top, **Verde Green**



- CX-604-BK 1" PVC Adjustable Mounting Pedestal, 1/2" NPT, **Black**
- CX-621-BK 1" PVC Cap, 1/2" NPT, **Black**
- CX-621-VG 1" PVC Cap, 1/2" NPT, **Verde Green**
- CX-622-BK 2" PVC Cap, 1/2" NPT, **Black**
- CX-622-VG 2" PVC Cap, 1/2" NPT, **Verde Green**
- CX-624-BK 3" PVC Cap, 1/2" NPT Female Brass Hub, **Black**
- CX-624-VG 3" PVC Cap, 1/2" NPT Female Brass Hub, **Verde Green**

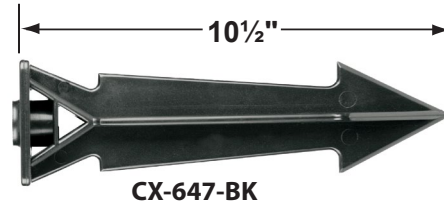
Mounting Canopies

- CX-705B-BR Brass Flat Canopy, 1/2" NPT, **Natural Brass**
- CX-709B-BR Brass Raised Canopy, 1/2" NPT, **Natural Brass**



Ground Spikes

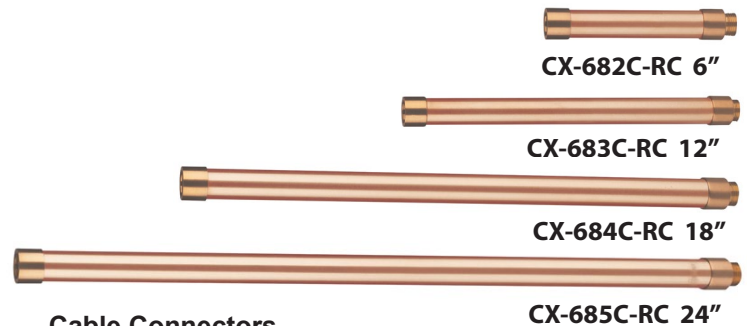
- CX-642-BK 8.5" ABS Spike, 1/2" NPT, **Black**
- CX-642-BZ 8.5" ABS Spike, 1/2" NPT, **Bronze**
- CX-643-BZ 8.5" ABS Spike, 1/2" NPT, **Bronze**



- CX-646-BK 8" ABS Spike, 1/2" NPT, **Black**
- CX-646-BR 8" ABS Spike, 1/2" NPT, **Natural Brass**
- CX-646-SS 8" ABS Spike, 1/2" NPT, **Stainless Steel**
- CX-647-BK 10.5" Heavy Duty ABS Spike, 1/2" NPT, **Black**

Mounting Risers

- CX-682C-RC 6" Copper Riser, 1/2" NPT Male/Female, **Raw Copper**
- CX-683C-RC 12" Copper Riser, 1/2" NPT Male/Female, **Raw Copper**
- CX-684C-RC 18" Copper Riser, 1/2" NPT Male/Female, **Raw Copper**
- CX-685C-RC 24" Copper Riser, 1/2" NPT Male/Female, **Raw Copper**



Cable Connectors

- CX-854 Direct Burial Silicone Filled Wire Nut, **Tan**
- CX-858 Speedy Cable Connector, Supply Cable up to 10-2, **Black**
- CX-839 Universal cable connector, Supply cable up to 8-2, one/Pack **Black**
- CX-LOC Quick-Locking Silicone Filled Wire Connector, 25 Sets (50 per Pack)

