

# SPECIFICATION SHEET

## PRODUCT # : CL-635

•Area Lights

• Aluminum

### Fixture Specifications:

**Housing:** Die-cast aluminum

**Stem:** Die-cast aluminum sectional stem, with 1/2 NPT hub on bottom.

**Finish:** Polyester UV powder coated, available in **BK- Black**, and **VG- Verde Green**

**Lens:** Clear, seeded glass.

**Socket:** S.C. bayonet socket, with easy tool free lamp access.

**Lamp:** 12V, SC Bayonet, 27W max.  
Available in LED (2W & 2.5W) without lamp.  
See Lamp guide below for more information.

**Wiring:** Fixture is prewired with a 3ft 18-2 direct burial cord. Wire connector sold separately Universal connector (**CX-839**), quick locking wire connector (**CX-LOC**) or silicone filled wire nut (**CX-854**) is available from Corona Lighting.

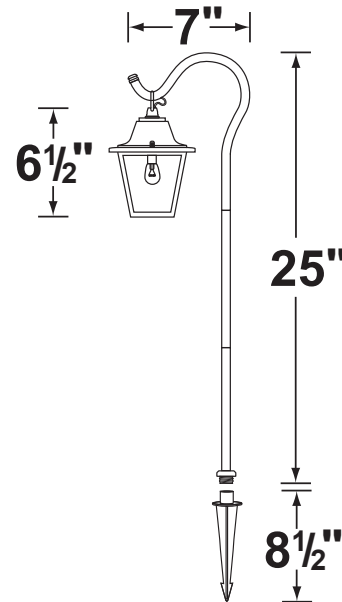
**Mounting Spike:** Black 8 1/2" ABS stem with 1/2" NPT male hub on top

**Electrical Notes:** A remote 12V transformer is required. Options are available from Corona Lighting. Voltage range for LED lamps are 8V-21V. Proper grease/lubricant is suggested on threaded parts during installation process.

**Warranty:** Limited five (5) year warranty on fixture housing and and stem against manufacturer's defects.



VG- Verde Green finish is shown



### AVAILABLE LED LAMPS (Corona LED lamps have a five (5) year limited warranty against manufacturer's defects)

LAMP NUMBER	WATTS	BEAM		COLOR & TEMP.	RATED HOURS	HALOGEN EQUIVALENT
		SPREAD	LUMEN			
L-EDBA-2W	2	360°	200	2700K	25,000	20 Watt
L-EDBA-2.5W	2.5	180°	240	2700K	25,000	35 Watt
L-EDBA-2W-3K	2	360°	210	3000K	25,000	20 Watt
L-EDBA-2.5W-3K	2.5	180°	250	3000K	25,000	35 Watt
L-EDBA-AM*	2	360°	170	2000K	25,000	20 Watt

\*AM- Amber color

For more additional Lamps, and accessories visit [Coronalighting.com](http://Coronalighting.com)

### JOB INFORMATION

TYPE: \_\_\_\_\_ DATE: \_\_\_\_\_

JOB NAME & ADDRESS: \_\_\_\_\_

PRODUCT #: \_\_\_\_\_

TOTAL QUANTITY: \_\_\_\_\_

LAMP TYPE & WATTAGE: \_\_\_\_\_

TRANSFORMER: \_\_\_\_\_

CONTRACTOR: \_\_\_\_\_

SPECIFIER: \_\_\_\_\_

• When ordering a halogen or xenon lamp add lamp number to the end of the product number. If you are ordering LED lamps you should follow the format below:

• **CL** - **product #** - **color** - **lamp** - **wattage**  
**CL - 635 - VG - L-EDBA - 2W-3K**

Example: CL-635-VG-L-EDBA-2W-3K

• Corona Lighting reserves the right to make any change and/or improvement to the design and construction of this fixture without further notification.

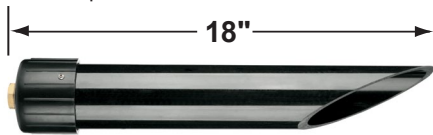
## PRODUCT # : CL-635

•Path Lights

• Aluminum

### Mounting Pedestals

- CX-601-BK 1" PVC Mounting Pedestal, 1/2" NPT, **Black**
- CX-601-VG 1" PVC Mounting Pedestal, 1/2" NPT, **Verde Green**
- CX-602-BK 2" PVC Mounting Pedestal, 1/2" NPT, **Black**
- CX-602-VG 2" PVC Mounting Pedestal, 1/2" NPT, **Verde Green**
- CX-603-BK 3" PVC Mounting Pedestal, 1/2" NPT Female Brass Hub on top, **Black**
- CX-603-VG 3" PVC Mounting Pedestal, 1/2" NPT Female Brass Hub on top, **Verde Green**



**CX-603-BK**

- CX-604-BK 1" PVC Adjustable Mounting Pedestal, 1/2" NPT, **Black**
- CX-621-BK 1" PVC Cap, 1/2" NPT, **Black**
- CX-621-VG 1" PVC Cap, 1/2" NPT, **Verde Green**
- CX-622-BK 2" PVC Cap, 1/2" NPT, **Black**
- CX-622-VG 2" PVC Cap, 1/2" NPT, **Verde Green**
- CX-624-BK 3" PVC Cap, 1/2" NPT Female Brass Hub, **Black**
- CX-624-VG 3" PVC Cap, 1/2" NPT Female Brass Hub, **Verde Green**

### Mounting Canopies

- CX-703 Aluminum tree mount canopy 1/2" NPT  
Finishes: **BK- Black, BZ- Bronze, GR- Green, GT- Granite, RT- Rust, VG- Verde Green, WH- White**



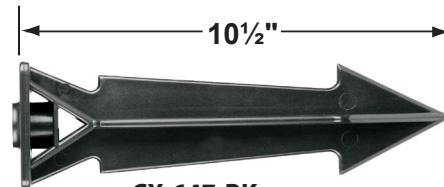
**CX-703-BK**

### Cable Connectors

- CX-854 Direct Burial Silicone Filled Wire Nut, **Tan**
- CX-858 Speedy Cable Connector, Supply Cable up to 10-2, **Black**
- CX-839 Universal cable connector, Supply cable up to 8-2, one/Pack **Black**
- CX-LOC Quick-Locking Silicone Filled Wire Connector, 25 Sets (50 per Pack)

### Ground Spikes

- CX-642-BK 8.5" ABS Spike, 1/2" NPT, **Black**
- CX-642-BZ 8.5" ABS Spike, 1/2" NPT, **Bronze**
- CX-643-BZ 8.5" ABS Spike, 1/2" NPT, **Bronze**



**CX-647-BK**

- CX-646-BK 8" ABS Spike, 1/2" NPT, **Black**
- CX-646-BR 8" ABS Spike, 1/2" NPT, **Natural Brass**
- CX-646-SS 8" ABS Spike, 1/2" NPT, **Stainless Steel**
- CX-647-BK 10.5" Heavy Duty ABS Spike, 1/2" NPT, **Black**

### Mounting Risers

- CX-671 6" Aluminum Riser, 1/2" NPT Male/Female  
Finishes: **BK- Black, BZ- Bronze, GR- Green, GT- Granite, RT- Rust, VG- Verde Green, WH- White**
- CX-672 12" Aluminum Riser, 1/2" NPT Male/Female  
Finishes: **BK- Black, BZ- Bronze, GR- Green, GT- Granite, RT- Rust, VG- Verde Green, WH- White**
- CX-673 18" Aluminum Riser, 1/2" NPT Male/Female  
Finishes: **BK- Black, BZ- Bronze, GR- Green, GT- Granite, RT- Rust, VG- Verde Green, WH- White**



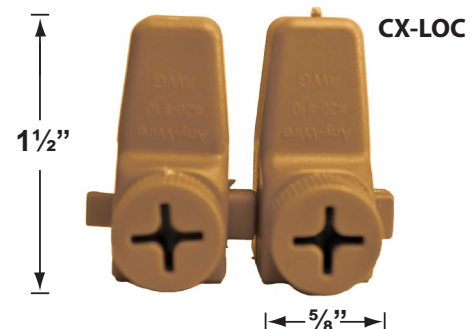
**CX-671-BK 6"**



**CX-672-BK 12"**



**CX-673-BK 18"**



**CX-LOC**

**PRODUCT # : CL-635**

•Path Lights

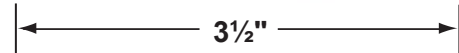
•Aluminum

**Mounting Brackets**

CX-700 Aluminum Bracket, 1/2" NPT  
Finishes: **BK**- Black, **BZ**- Bronze, **GR**- Green,  
**GT**- Granite, **RT**- Rust, **VG**- Verde Green,  
**WH**- White

CX-704 Aluminum Bracket, 1/2" NPT  
Finishes: **BK**- Black, **BZ**- Bronze, **GR**- Green,  
**GT**- Granite, **RT**- Rust, **VG**- Verde Green,  
**WH**- White

**CX-704-BK**



**CX-700-BK**

