



WWW.CORONALIGHTING.COM

1633 Staunton Ave
 Los Angeles, CA 90021
 TEL. (800) 727-9262 (800) 727-9957
 FAX. (213) 747-4500 (213) 747-3234

ARCHITECTURAL GRADE SERIES

SPECIFICATION SHEET

E-Mail: sales@coronalighting.com

PRODUCT # : CL-352-BR

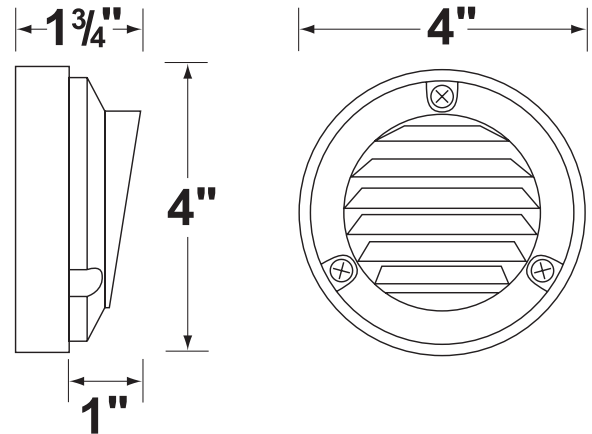
• Step Lighting

• Brass

Fixture Specifications:

Housing: Solid brass fixture
Finish: BR- Natural Brass
Lens: Frosted, tempered and heat resistant glass lens
Socket: Top grade fixed T5 wedge socket
Lamp: 12V, T5 wedge, 18W max. L-WDG-921 (18w) standard. 1W LED lamp in 3000K-cool white color temperature is available. T5 incadescent lamps may also be ordered. See below for more information.
Wiring: Fixtures are prewired with a 3ft direct burial cord. Wire connector sold seperately. Universal connector (CX-839) is available from Corona Lighting.

Mounting: Surface mounted, mounting plate is included. Outdoor use only.
Gasket: Silicone "O" ring sealing the lens to fixture housing, poviding weather tight protection..
Electrical Notes: A remote 12V transformer is required. Options are available from Corona Lighting. Voltage range for incadescent and LED lamps is 11-12.5V. Proper grease/lubricant is suggested on threaded parts during installation process.
Warranty: Limited lifetime warranty, providing protection against manufacturer's defects.



AVAILABLE LED LAMPS (Corona LED lamps have a five (5) year limited warranty against manufacturer's defects)

LAMP NUMBER	WATTS	BEAM		COLOR & TEMP.	RATED HOURS	HALOGEN EQUIVALENT
		SPREAD	LUMEN			
L-EDT5-1.5W	1.5	180°	120	2700K	12,000	10 Watt

JOB INFORMATION

TYPE: _____ DATE: _____
 JOB NAME & ADDRESS: _____
 PRODUCT #: _____
 TOTAL QUANTITY: _____
 LAMP TYPE & WATTAGE: _____
 TRANSFORMER: _____
 CONTRACTOR: _____
 SPECIFIER: _____

AVAILABLE INCADESCENT LAMPS

LAMP NUMBER	WATTS	BEAM		COLOR & TEMP.	RATED HOURS
		SPREAD	LUMEN		
L-WDG-904	6		50	2700K	5,000
L-WDG-906	8		75	2700K	1,000
L-WDG-912	12		150	2700K	1,000
L-WDG-921	18		265	2700K	1,000

• When ordering a halogen or xenon lamp add lamp number to the product number. If you are ordering LED lamps you should follow the format below:

• CL - product # - lamp - wattage
 CL - 352-BR - L-EDT5 - 1.5W

Example: CL-352-BR-L-EDT5-1.5W

• Corona Lighting reserves the right to make any change and/or improvement to the design and construction of this fixture without further notification.