

SPECIFICATION SHEET

PRODUCT # : CL-338-BZ

• Well Lights

• Composite

Fixture Specifications:

- Housing:** Injection molded composite for high UV stability.
- Faceplate:** Injection molded composite, fitted to housing with silicone "O" ring gasket.
- Finish :** **BZ- Bronze.**
Also available in **BK- Black.**
- Lens:** Clear and heat resistant glass.
- Socket:** Top grade adjustable ceramic bi-pin socket with retention clip and teflon-jacketed wire lead.
- Lamp:** 12V, MR-16, 50W max.
Available in LED (3.5W & 5W) or without lamp.
See the Lamp Guide below for more information.
- Gasket:** Silicone "O" ring seals faceplate to housing providing weather tight protection.

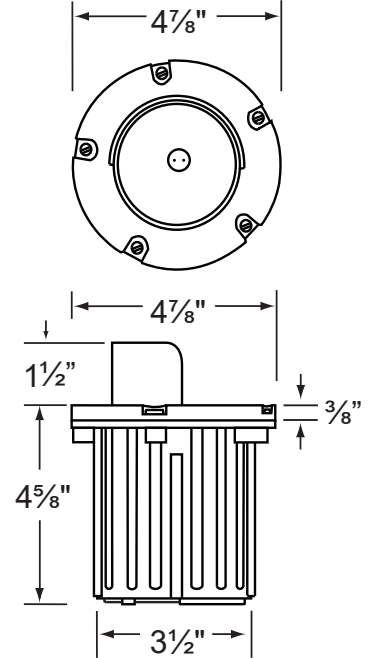
- Wiring:** Fixture is prewired with a 3ft 18-2 SJT-W direct burial cord. Wire connector sold separately. Silicone filled wire nut (**CX-854**) or quick-locking wire connector (**CX-LOC**) are available from Corona Lighting.
- Mounting:** In-ground direct burial or concrete encasement. For best results when mounting in concrete, use the concrete pour kit (**CX-237**)
- Electrical Notes:** A remote 12V transformer is required. Options are available from Corona Lighting. Voltage range for LED lamps are 9V-17V. Proper grease/lubricant is suggested on threaded parts during installation process.
- Warranty:** Limited ten (10) years warranty on fixture against manufacturer's defects.



Fixture socket tilts for ± 25°



3.5W and 5W



AVAILABLE LED LAMPS (Corona LED lamps have a five (5) year limited warranty against manufacturer's defects)

| LAMP NUMBER | WATTS | BEAM | | COLOR & TEMP. | RATED HOURS | HALOGEN EQUIVALENT |
|-------------------|-------|----------------|-------|---------------|-------------|--------------------|
| | | SPREAD | LUMEN | | | |
| L-ED16-3W-SP | 3.5 | 15° Spot | 270 | 2700K | 50,000 | 25 Watt |
| L-ED16-3W-FL | 3.5 | 45° Flood | 270 | 2700K | 50,000 | 25 Watt |
| L-ED16-3W-WF | 3.5 | 60° Wide Flood | 270 | 2700K | 50,000 | 25 Watt |
| L-ED16-5W-SP | 5 | 15° Spot | 350 | 2700K | 50,000 | 40 Watt |
| L-ED16-5W-FL | 5 | 45° Flood | 350 | 2700K | 50,000 | 40 Watt |
| L-ED16-5W-WF | 5 | 60° Wide Flood | 350 | 2700K | 50,000 | 40 Watt |
| L-ED16-COB5W-SP | 5 | 15° Spot | 450 | 2700K | 50,000 | 50 Watt |
| L-ED16-COB5W-FL | 5 | 38° Flood | 450 | 2700K | 50,000 | 50 Watt |
| L-ED16-COB5W-WF | 5 | 60° Wide Flood | 450 | 2700K | 50,000 | 50 Watt |
| L-ED16-COB5W-SP3K | 5 | 15° Spot | 470 | 3000K | 50,000 | 50 Watt |
| L-ED16-COB5W-FL3K | 5 | 38° Flood | 470 | 3000K | 50,000 | 50 Watt |
| L-ED16-COB5W-WF3K | 5 | 60° Wide Flood | 470 | 3000K | 50,000 | 50 Watt |

■ Single color MR-16 LED available in AMBER, BLUE, GREEN, PURPLE, RED and VIOLET

JOB INFORMATION

- TYPE: _____ DATE: _____
- JOB NAME & ADDRESS: _____
- PRODUCT #: _____
- TOTAL QUANTITY: _____
- LAMP TYPE & WATTAGE: _____
- TRANSFORMER: _____
- CONTRACTOR: _____
- SPECIFIER: _____

• When ordering LED lamp with a fixture your part number should follow the format below:

• CL - **product #** - **lamp** - **wattage** - **lamp angle**
CL - 338-BZ - L-ED16 - 5W - FL

Example: CL-338-BZ-L-ED16-5W-FL

• Corona Lighting reserves the right to make any change and/or improvement to the design and construction of this fixture without further notification.

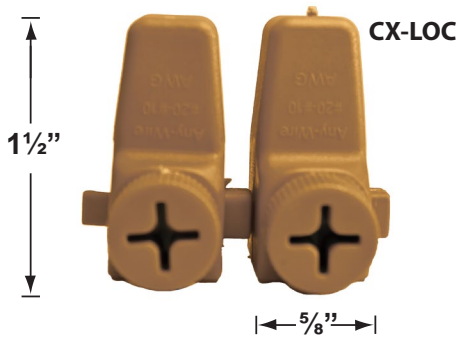
PRODUCT # : CL-338-BZ

• Well Lights

• Composite

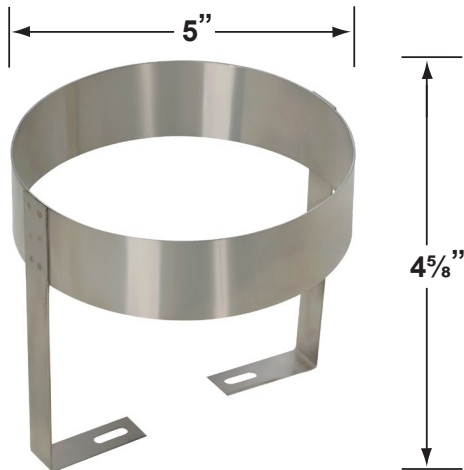
Cable Connectors

- CX-854 Direct Burial Silicone Filled Wire Nut, **Tan**
- CX-858 Speedy Cable Connector, Supply Cable up to 10-2, **Black**
- CX-839 Universal cable connector, Supply cable up to 8-2, one/Pack **Black**
- CX-LOC Quick-Locking Silicone Filled Wire Connector, 25 Sets (50 per Pack)



Mounting Tools

- CX-237 Concrete Pour Kit



Special Lenses & Honeycomb Louvers

- CX-238 MR-16 Snap-on holder, **Silver Plated**
- CX-239 MR-16 honeycomb louver, **Black**
- CX-240-AM MR-16 color lens, **Amber**
- CX-240-BL MR-16 color lens, **Blue**
- CX-240-GR MR-16 color lens, **Green**
- CX-240-RD MR-16 color lens, **Red**
- CX-240-YL MR-16 color lens, **Yellow**
- CX-241 MR-16 lens, **Linear Spread**
- CX-242 MR-16 lens, **Frosted**
- CX-243 MR-16 lens, **Prismatic**

For MR-16 Lenses and Louvers, you will need the CX-238

