



WWW.CORONALIGHTING.COM

1633 Staunton Ave  
 Los Angeles, CA 90021  
 TEL. (800) 727-9262 (800) 727-9957  
 FAX. (213) 747-4500 (213) 747-3234

ARCHITECTURAL GRADE SERIES

# SPECIFICATION SHEET

E-Mail: sales@coronalighting.com

## PRODUCT # : CL-336

•Well Lights

•Stainless Steel

### Fixture Specifications:

**Housing:** Stainless steel adjustable fixture, suspended inside areversible PVC sleeve with both flat and angle-cut options on either end.

**Finish:** Fixture is naturally finished stainless steel. PVC sleeve is only available in Black.

**Lens:** None.

**Socket:** Loose, top grade screw-in terminal.

**Lamp:** 12V, Par 36 50W Max. Available in 6W, 10W and 13W LED lamps available in Flood and Wide Flood beam spreads in 2700K warm white temp.

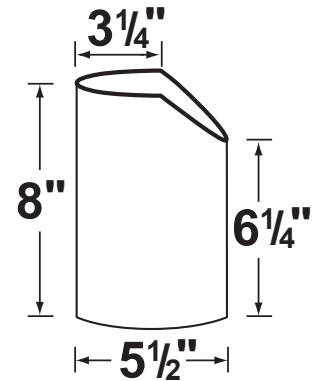
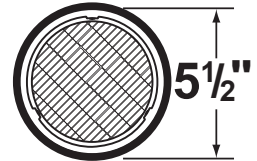
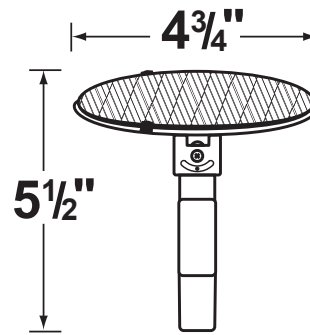
**Gasket:** None.

**Wiring:** Fixture is prewired with a 5ft 18-2 SJT-W direct burial cord. Wire connector sold separately. Silicone filled wire nut (**CX-854**) or quick locking wire connector (**CX-LOC**) are available from Corona Lighting.

**Mounting:** In-ground direct burial or concrete encasement. Use gravel for proper drainage. Angle cut end required when installed 3" above the ground surface.

**Electrical Notes:** A remote 12V transformer is required. Options are available from Corona Lighting. Voltage range for LED lamps are 9V-24V.

**Warranty:** Limited lifetime warranty on fixture only, against manufacturer's defects.



**LED**  
6W, 10W, & 13W

### AVAILABLE LED LAMPS (Corona LED lamps have a five (5) year limited warranty against manufacturer's defects)

LAMP NUMBER	WATTS	BEAM		COLOR & TEMP.	RATED HOURS	HALOGEN EQUIVALENT
		SPREAD	LUMEN			
L-ED36-6W-FL	6	45° Flood	610	2700K	50,000	35 Watt
L-ED36-6W-WF	6	60° Wide Flood	610	2700K	50,000	35 Watt
L-ED36-10W-FL	10	45° Flood	800	2700K	50,000	50 Watt
L-ED36-10W-WF	10	60° Wide Flood	800	2700K	50,000	50 Watt
L-ED36-13W-FL	13	45° Flood	1150	2700K	50,000	75 Watt
L-ED36-13W-WF	13	60° Wide Flood	1150	2700K	50,000	75 Watt

For more additional Lamps, and accessories visit [Coronalighting.com](http://Coronalighting.com)

### JOB INFORMATION

TYPE: \_\_\_\_\_ DATE: \_\_\_\_\_

JOB NAME & ADDRESS: \_\_\_\_\_

PRODUCT #: \_\_\_\_\_

TOTAL QUANTITY: \_\_\_\_\_

LAMP TYPE & WATTAGE: \_\_\_\_\_

TRANSFORMER: \_\_\_\_\_

CONTRACTOR: \_\_\_\_\_

SPECIFIER: \_\_\_\_\_

• When ordering a halogen lamp add lamp number to the product number. If you are ordering LED lamps you should follow the format below:

• **CL** - **product #** - **lamp** - **wattage** - **lamp angle** Example: CL-336-L-ED36-10W-WF  
 CL - 336 - L-ED36 - 10W - WF

• Corona Lighting reserves the right to make any change and/or improvement to the design and construction of this fixture without further notification.