

# SPECIFICATION SHEET

## PRODUCT # : CL-298-BZ-27K

•Rail Lights

•Aluminum

### Fixture Specifications:

**Light Bar Housing:** Die-Cast Aluminum. Replaceable LED Capsule. Fully Potted.

**Finish:** BZ- Bronze.

**Lighting Source:** Integrated LED Strip (12 Chips), Wattage: 2W, beam. Spread: 120 Degree, Light Output: 100 Lumens, Color Temperature: **2700K** Warm White. Operating Voltage: 9-17V AC. CRI: RA >85. Halogen Equivalent: 20W. Ambient Operating Temperature: -4° F - 122° F

**Features:** IP65. Suitable for Damp Locations. Rated for Outdoor. Dimmable with magnetic transformers.

**Dimensions:** 7" X 7/8"

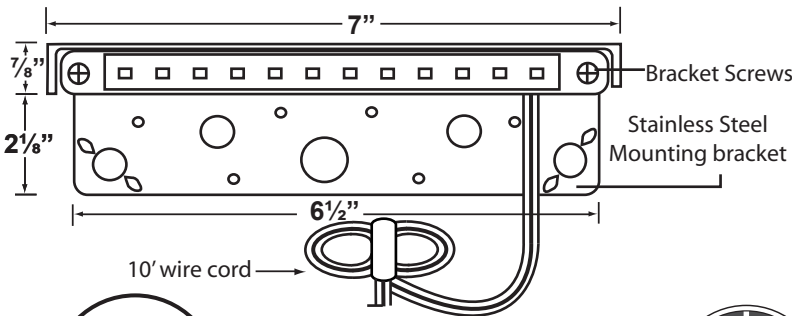
**Warranty:** 10 year warranty, with a rated life of 50,000 hours.

**Wiring:** Fixture is prewired with a 10-ft 18-2 direct burial cord, pre-stripped for easy connection, wire connector sold separately. Universal connector (**CX-839**), silicone filled wire nut (**CX-854**) or quick locking wire connector (**CX-LOC**) are available from Corona Lighting.

**Mounting Brackets:** Stainless Steel Mounting Bracket is removable for further applications. Break off corners for easy installation. Additional shorter Mounting Brackets (Small and "L" Shape) provided. Supplied with Wall Anchors and Screws.

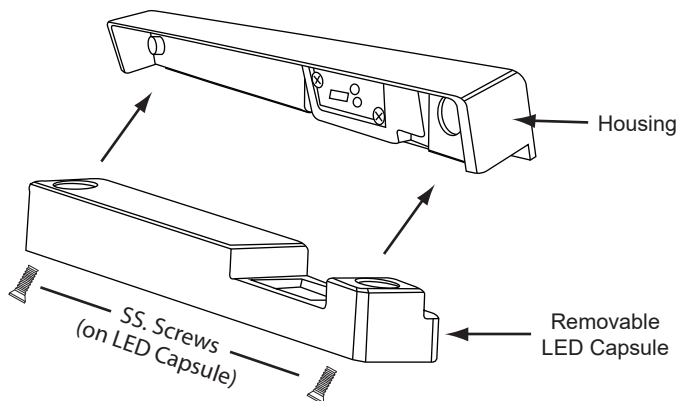
**Electrical Notes:** A remote 12V magnetic transformer is required, can be ordered from Corona Lighting, separately. Not for use with electronic transformer. Increasing voltage above 12 volts AC may decrease life of LED chips.

**Applications:** Retaining walls, Patios, Gazebos, Decks, Benches, Stairs, and Outdoors Living Spaces.



### Replaceable LED Capsule

LED Capsule, is attached to the housing with two S.S. screws, making it simple to remove and install.



### JOB INFORMATION

TYPE: \_\_\_\_\_ DATE: \_\_\_\_\_

JOB NAME & ADDRESS: \_\_\_\_\_

PRODUCT #:

TOTAL QUANTITY:

LAMP TYPE & WATTAGE:

TRANSFORMER:

CONTRACTOR:

SPECIFIER:

# ACCESSORIES SHEET

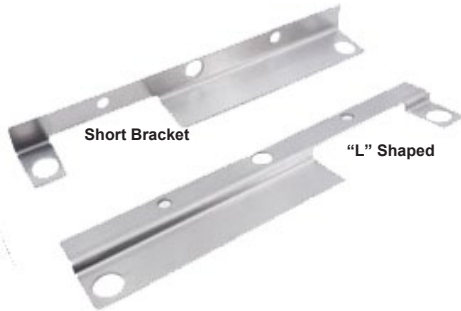
**PRODUCT # : CL-298-BZ-27K**

•Rail Lights

•Aluminum

## INCLUDED

### Stainless Steel Brackets



### Wall Anchors



## OFFERED SEPERATELY

### Additional LED CAPSULE

CX-LEDCAP-27K Replacement LED Capsule, 2700K

CX-LEDCAP-3K Replacement LED Capsule, 3000K



### Cable Connectors

CX-854 Direct Burial Silicone Filled Wire Nut, **Tan**

CX-858 Speedy Cable Connector, Supply Cable up to 10-2, **Black**

CX-839 Universal cable connector, Supply cable up to 8-2, one/Pack **Black**

CX-LOC Quick-Locking Silicone Filled Wire Connector, 25 Sets (50 per Pack)

