

SPECIFICATION SHEET

PRODUCT # : CL-533B

• Directional Lights

• Cast Brass

Fixture Specifications:

Housing & Shroud: Corrosion resistant cast brass

Finish: Available in **AB- Antique Bronze**, and **GM- Gun Metal** Finish will vary due to artistic process.

Lens: Frosted and heat resistant tempered flat glass, supplied with extra clear glass lens, linear glass lens, and honey comb louver.

Socket: Top grade fixed ceramic bi-pin socket.

Lamp: 12V, T3 halogen, 35W max. L-20T3 (20w) standard. LED lamps available in 2W and 2.5W, with 2700K-warm white or 3000K-cool white color temperature. Xenon and halogen lamps also available.

Wiring: Fixture is prewired with a 5-ft 18-2 SPT2-W direct burial cord. Wire connector available separately. Universal connector (**CX-839**) or silicone filled wire nut (**CX-854**) may be ordered to Corona Lighting.

Gasket: Silicone gasket for water tight sealing.

Knuckle: Adjustable cast brass knuckle with thumb screw and 1/2" NPT threaded male hub on bottom.

Mounting Spike: Standard injection molded spike with 1/2" NPT threaded female hub.

Electrical Notes: A remote 12V transformer required, may be ordered from Corona Lighting. Voltage range for 12V halogen lamps are 11V-12.5V Voltage range for LED lamps are 8V-21V. Proper grease/lubricant is suggested on threaded parts during installation process.

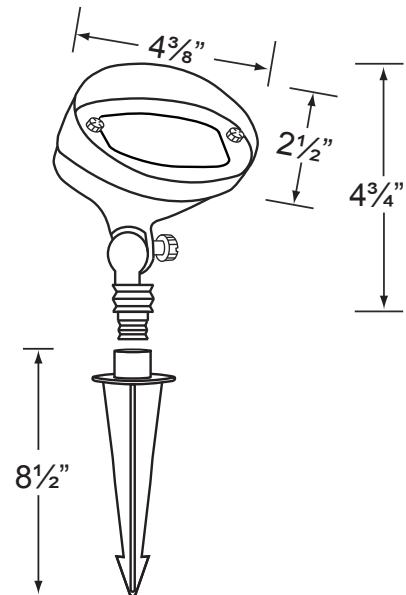
Warranty: Limited lifetime warranty on fixture housing against manufacture's defects.



AB- Antique Bronze finish shown



LED
2W and 2.5W



AVAILABLE LED LAMPS (Corona LED lamps have a five (5) year limited warranty against manufacturer's defects)

LAMP NUMBER	WATTS	BEAM		COLOR & TEMP.	RATED HOURS	HALOGEN EQUIVALENT
		SPREAD	LUMEN			
L-EDT3-2W	2	360°	200	2700K	25,000	20 Watt
L-EDT3-2.5W	2.5	180°	240	2700K	25,000	35 Watt
L-EDT3-2W-3K	2	360°	210	3000K	25,000	20 Watt
L-EDT3-2.5W-3K	2.5	180°	250	3000K	25,000	35 Watt
L-EDT3-AM	2	360°	170	2000K	25,000	20 Watt

JOB INFORMATION

TYPE: _____ DATE: _____

JOB NAME & ADDRESS: _____

PRODUCT #:

TOTAL QUANTITY:

LAMP TYPE & WATTAGE:

TRANSFORMER:

CONTRACTOR:

SPECIFIER:

AVAILABLE HALOGEN LAMPS

LAMP NUMBER	WATTS	BEAM		COLOR & TEMP.	RATED HOURS
		SPREAD	LUMEN		
L-10T3	10		120	2950K	2,000
L-20T3	20		300	2950K	2,000
L-10T3/SC	10		120	2950K	2,000
L-10T3/SC	20		300	2950K	2,000

AM- Amber color

For more additional Lamps, and accessories visit Coronalighting.com

• When ordering a halogen or xenon lamp add lamp number to the end of the product number. If you are ordering LED lamps you should follow the format below:

• **CL** - **product #** - **color** - **lamp** - **wattage**
CL - **533B** - **AB** - **L-EDT3** - **2W-3K**

Example: CL-533B-AB-L-EDT3-2W-3K

• Corona Lighting reserves the right to make any change and/or improvement to the design and construction of this fixture without further notification.