



**INSTALLATION & INSTRUCTION SHEETS**

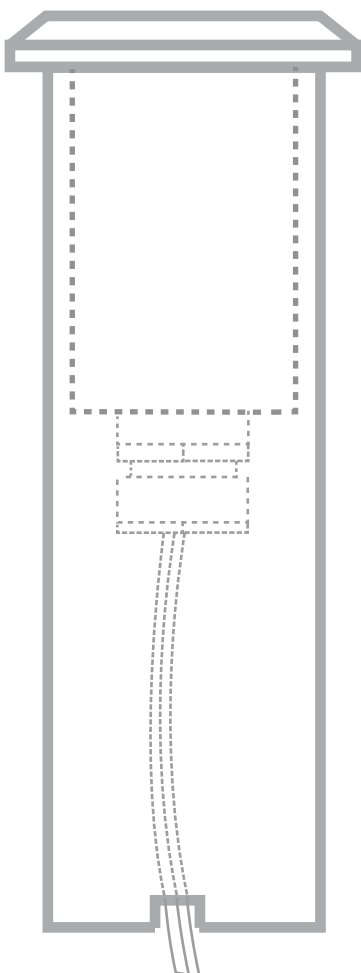
**TABLE OF CONTENTS**

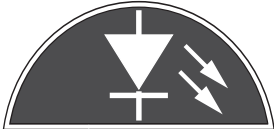
**Down Light .....2**

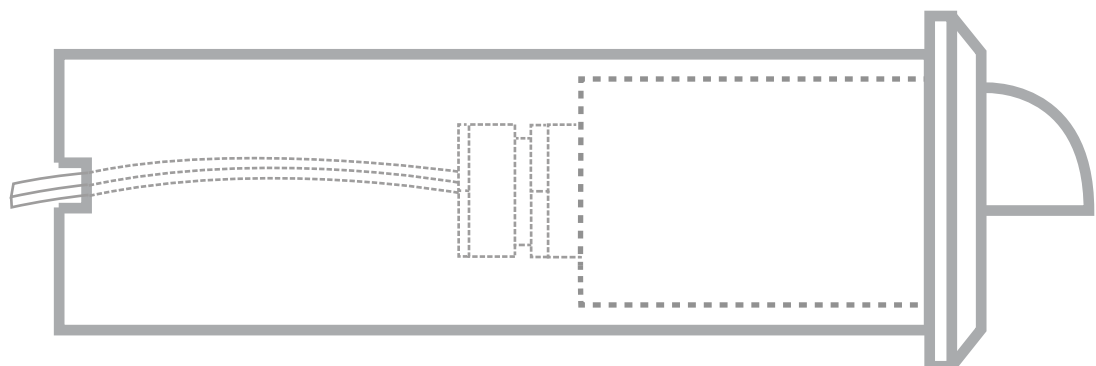
**Well Light .....3**

**Step Light .....4**

**Underwater Light .....5**



  
**LED**  
**INTEGRATED**



# ASSEMBLY/INSTALLATION INSTRUCTION

**Please read carefully before installation**  
**SAVE THESE INSTRUCTIONS**



## Down Lights



**CL-219**  
AB, GM, SI



**CL-220**  
AB, GM, SI

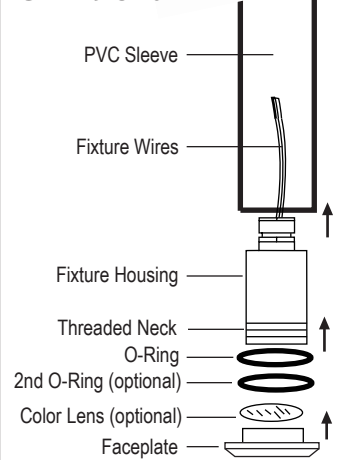
## Assembly Instructions

### Caution:

Fixture(s) must be installed in accordance with all local codes and ordinances.

- 1- Pull the brass housing from the PVC Sleeve. You may need to unbind the fixture wires to pull it freely through the sleeve.  
NOTE: When installing into prepared ceiling or high surface, mount with empty PVC sleeve first.
- 2- (Optional) If you are going to add a color lens to the fixture first unscrew the faceplate from the fixture. Next, find the extra O-ring and place it on the threads next to the one that is already there. Then, place the color lens between the fixture body and the faceplate. Finally screw the faceplate securely onto the fixture body.
- 3- Press the full fixture assembly into the PVC sleeve, careful to thread the wires through first.

### CL-219 Shown



## Installation Instructions

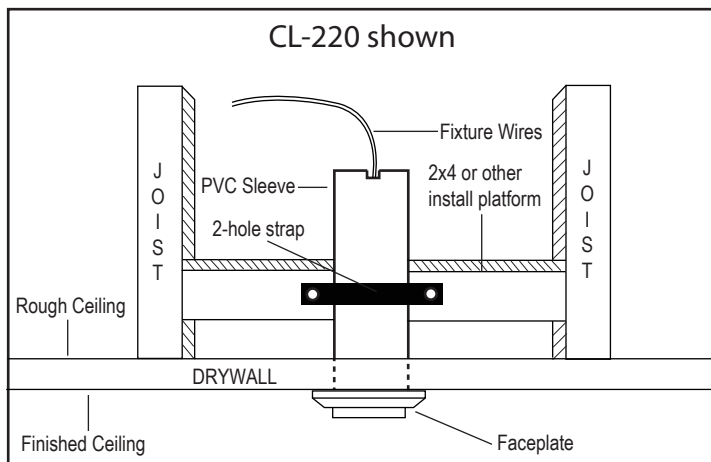
### To prevent the risk of injury or damage:

Fixture should be used "ONLY" with Low voltage landscape power units that do not exceed 25A, 15V. The power units reduce wattage from 120V to 12V.

### Only available for CL-219 and CL-220

- 1- BEFORE INSTALL: The platform of the install should be a 2x4, or other type of beam, set between two joists of a ceiling (as shown on the right). You should also remove the combined fixture from the PVC sleeve, and set it to the side.
- 2- First, position the empty PVC sleeve through the rough ceiling about the thickness of the drywall, and attach it to the install platform securely with a 2-hole strap (as shown on the right).
- 3- With the PVC sleeve installed, remove the faceplate from the combined fixture (we set this aside in step one). Next run the fixture wire through the installed PVC sleeve. Insert the fixture housing into the PVC sleeve until the whole threaded neck of the fixture housing is exposed from the finished ceiling
- 4- Run the fixture wires and connect to main cable
- 5- After ceiling's dry wall installation and painting is completed, install the faceplate (we removed in step 3), and make it flush with the completed ceiling.

- Turn off/Unplug when replacing lenses.
- Do not operate with a missing lens or faceplate.
- Keep fixture away from materials that may burn.
- Do not touch hot lens, faceplate or body.



## Limited Warranty

Corona Lighting warrants this product to be free of defects in material and workmanship under normal use, when installed in accordance with installation instructions, specifications and accepted trade practices as follows:

- The fixture assembly and faceplate: Limited Lifetime warranty.
- Integrated LED Module: Ten years warranty from date of invoice.

### This warranty excludes:

1. Products not used in accordance with directions specified in installation instructions and subject to unauthorized repair.
2. Damages caused by accident, altercation, misuse, abuse and exceeding the cost of product.
3. Costs incurred in shipment, repair, replace, remove or install of product by buyer and others.

### Other Conditions:

- Corona Lighting reserves the right to issue credit, repair or replace the defective product at our option upon receipt of written notification by original buyer of the alleged defect. Corona Lighting assumes no responsibility for improper installation of the product and shall not be liable for any incidental or consequential damages resulting from use of this product.
- Corona Lighting does not authorize any other warranty, verbal or written except as described here.
- Corona Lighting reserves the right to make any changes to its products without prior notice.

Visit [Coronalighting.com](http://Coronalighting.com) for additional information on these and other products.

Corona Lighting, Inc. ; Los Angeles, California

A1-137R

©All Rights Reserved • Unauthorized duplication of this document is punishable by law.

# ASSEMBLY/INSTALLATION INSTRUCTION

Please read carefully before installation  
**SAVE THESE INSTRUCTIONS**



## Well Lights

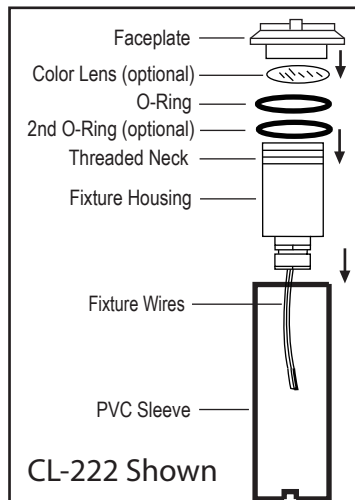


## Assembly Instructions

- 1- Pull the brass housing from the PVC Sleeve. You may need to unbind the fixture wires to pull it freely through the sleeve.  
NOTE: When installing into prepared Flooring or ground, mount with empty PVC sleeve first.
- 2- (Optional) If you are going to add a color lens to the fixture first unscrew the faceplate from the fixture. Next, find the extra O-ring and place it on the threads next to the one that is already there. Then, place the color lens between the fixture body and the faceplate. Finally screw the faceplate securely onto the fixture body.
- 3- Press the full fixture assembly into the PVC sleeve, careful to thread the wires through first.

### Caution:

Fixture(s) must be installed in accordance with all local codes and ordinances.



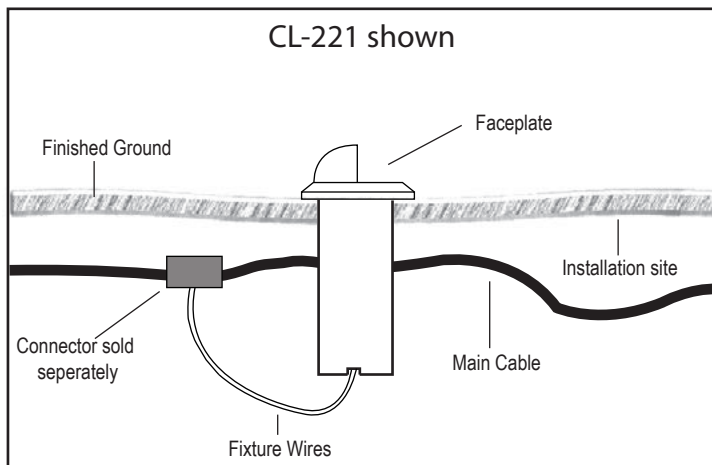
## Installation Instructions

- 1- BEFORE INSTALL: The hole prepared in the installation site, should be 5½ inches deep. You should also remove the combined fixture from the PVC sleeve, and set it to the side.
- 2- Insert the empty PVC sleeve into prepared hole (see step 1). Next position PVC sleeve flush with the finished ground by making a suitable frame around it.
- 3- With the PVC sleeve is installed, remove the faceplate from the combined fixture (we set this aside in step one). Next run the fixture wire through the installed PVC sleeve. Insert the fixture housing into the PVC sleeve until the whole threaded neck of the fixture housing is exposed from the prepared ground.
- 4- Run the fixture wires and connect to main cable.  
**Warning:** fixture wires need to be run in close proximity to fixture and not buried more than 3 inches.
- 5- Cover the fixture's whole threaded neck to protect it from damage during finishing construction.
- 6- After the installation site's preparations are complete, screw on the faceplate (we removed in step 3), and make it flush with the finished ground.

### To prevent the risk of injury or damage:

Fixture should be used "ONLY" with Low voltage landscape power units that do not exceed 25A, 15V. The power units reduce wattage from 120V to 12V.

- Turn off/Unplug when replacing lenses.
- Do not operate with a missing lens or faceplate.
- Keep fixture away from materials that may burn.
- Do not touch hot lens, faceplate or body.



## Limited Warranty

Corona Lighting warrants this product to be free of defects in material and workmanship under normal use, when installed in accordance with installation instructions, specifications and accepted trade practices as follows:

- The fixture assembly and faceplate: Limited Lifetime warranty.
- Integrated LED Module: Ten years warranty from date of invoice.

### This warranty excludes:

1. Products not used in accordance with directions specified in installation instructions and subject to unauthorized repair.
2. Damages caused by accident, altercation, misuse, abuse and exceeding the cost of product.
3. Costs incurred in shipment, repair, replace, remove or install of product by buyer and others.

### Other Conditions:

- Corona Lighting reserves the right to issue credit, repair or replace the defective product at our option upon receipt of written notification by original buyer of the alleged defect. Corona Lighting assumes no responsibility for improper installation of the product and shall not be liable for any incidental or consequential damages resulting from use of this product.
- Corona Lighting does not authorize any other warranty, verbal or written except as described here.
- Corona Lighting reserves the right to make any changes to its products without prior notice.

Visit [Coronalighting.com](http://Coronalighting.com) for additional information on these and other products.

Corona Lighting, Inc. ; Los Angeles, California

A1-137R

©All Rights Reserved • Unauthorized duplication of this document is punishable by law.

# ASSEMBLY/INSTALLATION INSTRUCTION

Please read carefully before installation  
**SAVE THESE INSTRUCTIONS**



## Step Lights



**CL-219**  
AB, GM, SI



**CL-220**  
AB, GM, SI



**CL-221**  
AB, GM, SI



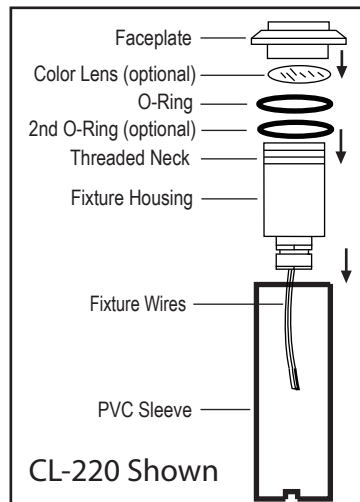
**CL-222**  
AB, GM, SI

## Assembly Instructions

- 1- Pull the brass housing from the PVC Sleeve. You may need to unbind the fixture wires to pull it freely through the sleeve.  
NOTE: When installing into prepared Flooring or ground, mount with empty PVC sleeve first.
- 2- (Optional) If you are going to add a color lens to the fixture first unscrew the faceplate from the fixture. Next, find the extra O-ring and place it on the threads next to the one that is already there. Then, place the color lens between the fixture body and the faceplate. Finally screw the faceplate securely onto the fixture body.
- 3- Press the full fixture assembly into the PVC sleeve, careful to thread the wires through first.

### Caution:

Fixture(s) must be installed in accordance with all local codes and ordinances.



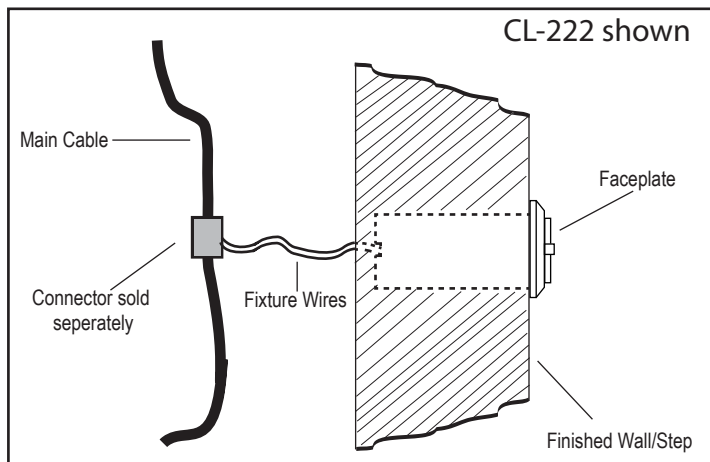
## Installation Instructions

- 1- BEFORE INSTALL: Remove the combined fixture from the PVC sleeve, and set it to the side.
- 2- To Install the empty PVC Sleeve, first make a suitable frame for it. Next push it into prepared wall/step form structure, until the PVC Sleeve is flush with finished wall/step.
- 3- With the PVC sleeve is installed, remove the faceplate from the combined fixture (we set this aside in step one). Next run the fixture wire through the installed PVC sleeve. Insert the fixture housing into the PVC sleeve until the whole threaded neck of the fixture housing is exposed from the prepared ground.
- 4- Run the fixture wires and connect to main cable
- 5- Cover the fixture's whole threaded neck to protect it from damage during finishing construction.
- 6- After the installation site's preparations are complete, screw on the faceplate (we removed in step 3), and make it flush with the finished wall.

### To prevent the risk of injury or damage:

Fixture should be used "ONLY" with Low voltage landscape power units that do not exceed 25A, 15V. The power units reduce wattage from 120V to 12V.

- Turn off/Unplug when replacing lenses.
- Do not operate with a missing lens or faceplate.
- Keep fixture away from materials that may burn.
- Do not touch hot lens, faceplate or body.



## Limited Warranty

Corona Lighting warrants this product to be free of defects in material and workmanship under normal use, when installed in accordance with installation instructions, specifications and accepted trade practices as follows:

- The fixture assembly and faceplate: Limited Lifetime warranty.
- Integrated LED Module: Ten years warranty from date of invoice.

### This warranty excludes:

1. Products not used in accordance with directions specified in installation instructions and subject to unauthorized repair.
2. Damages caused by accident, altercation, misuse, abuse and exceeding the cost of product.
3. Costs incurred in shipment, repair, replace, remove or install of product by buyer and others.

### Other Conditions:

- Corona Lighting reserves the right to issue credit, repair or replace the defective product at our option upon receipt of written notification by original buyer of the alleged defect. Corona Lighting assumes no responsibility for improper installation of the product and shall not be liable for any incidental or consequential damages resulting from use of this product.
- Corona Lighting does not authorize any other warranty, verbal or written except as described here.
- Corona Lighting reserves the right to make any changes to its products without prior notice.

Visit [Coronalighting.com](http://Coronalighting.com) for additional information on these and other products.

Corona Lighting, Inc. ; Los Angeles, California

A1-137R

©All Rights Reserved • Unauthorized duplication of this document is punishable by law.

# ASSEMBLY/INSTALLATION INSTRUCTION

Please read carefully before installation  
**SAVE THESE INSTRUCTIONS**



## Underwater Lights

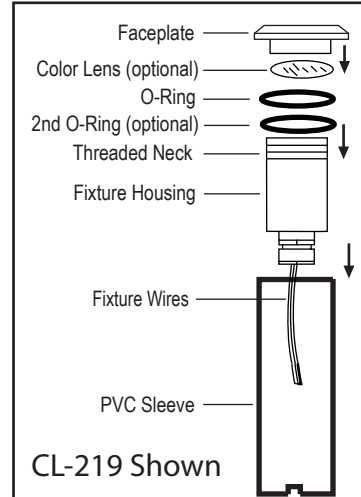


### Assembly Instructions

#### Caution:

Fixture(s) must be installed in accordance with all local codes and ordinances.

- 1- Pull the brass housing from the PVC Sleeve. You may need to unbind the fixture wires to pull it freely through the sleeve.  
 NOTE: When installing into prepared Flooring or ground, mount with empty PVC sleeve first.
- 2- (Optional) If you are going to add a color lens to the fixture first unscrew the faceplate from the fixture. Next, find the extra O-ring and place it on the threads next to the one that is already there. Then, place the color lens between the fixture body and the faceplate. Finally screw the faceplate securely onto the fixture body.
- 3- Press the full fixture assembly into the PVC sleeve, careful to thread the wires through first.



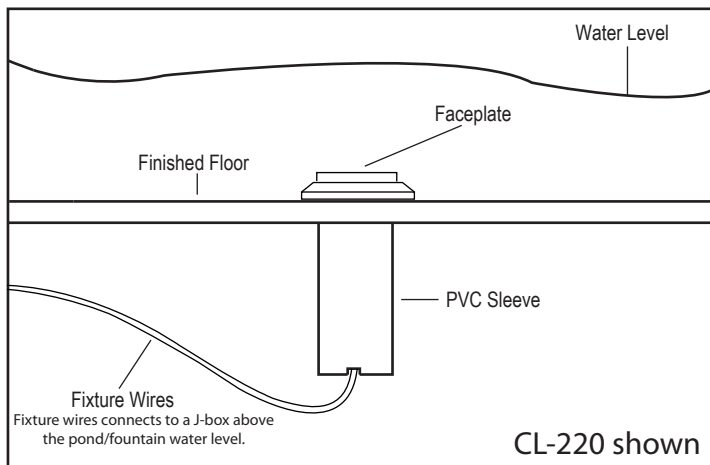
### Installation Instructions

- 1- BEFORE INSTALL: The hole prepared in the installation site, should be 5½ inches deep. You should also remove the combined fixture from the PVC sleeve, and set it to the side.
- 2- Insert the empty PVC sleeve into prepared hole (see step 1). Next position PVC sleeve flush with the finished ground by making a suitable frame around it.
- 3- With the PVC sleeve is installed, remove the faceplate from the combined fixture (we set this aside in step one). Next run the fixture wire through the installed PVC sleeve. Insert the fixture housing into the PVC sleeve until the whole threaded neck of the fixture housing is exposed from the prepared ground.
- 4- Run the fixture wires and connect to main cable inside the J-Box.  
**Warning:** The J-Box must be installed above water, and the point of contact must be dry.
- 5- Cover the fixture's whole threaded neck to protect it from damage during finishing construction.
- 6- After the installation site's preparations are complete, and it is now the finished ground, screw on the faceplate (we removed in step 3), and make it flush with the finished ground.

#### To prevent the risk of injury or damage:

Fixture should be used "ONLY" with Low voltage landscape power units that do not exceed 25A, 15V. The power units reduce wattage from 120V to 12V.

- Turn off/Unplug when replacing lenses.
- Do not operate with a missing lens or faceplate.
- Keep fixture away from materials that may burn.
- Do not touch hot lens, faceplate or body.



### Limited Warranty

Corona Lighting warrants this product to be free of defects in material and workmanship under normal use, when installed in accordance with installation instructions, specifications and accepted trade practices as follows:

- The fixture assembly and faceplate: Limited Lifetime warranty.
- Integrated LED Module: Ten years warranty from date of invoice.

#### This warranty excludes:

1. Products not used in accordance with directions specified in installation instructions and subject to unauthorized repair.
2. Damages caused by accident, altercation, misuse, abuse and exceeding the cost of product.
3. Costs incurred in shipment, repair, replace, remove or install of product by buyer and others.

#### Other Conditions:

- Corona Lighting reserves the right to issue credit, repair or replace the defective product at our option upon receipt of written notification by original buyer of the alleged defect. Corona Lighting assumes no responsibility for improper installation of the product and shall not be liable for any incidental or consequential damages resulting from use of this product.
- Corona Lighting does not authorize any other warranty, verbal or written except as described here.
- Corona Lighting reserves the right to make any changes to its products without prior notice.

Visit [Coronalighting.com](http://Coronalighting.com) for additional information on these and other products.

Corona Lighting, Inc. ; Los Angeles, California

A1-137R

©All Rights Reserved • Unauthorized duplication of this document is punishable by law.