

COB MR-16 LED LAMPS

SPECIFICATION SHEET

E-Mail: sales@coronalighting.com

PRODUCT # : L-ED16-3W-FL

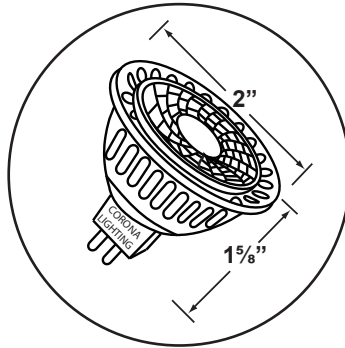
LED Lamp Specifications:

Effective Wattage: 3.5 Watts
Color Temperature: 2700K Warm White
Light Output: 270 Lumens
Available Beam Spread: 45° Flood
Feature: Dimmable
Rated Life: 50,000 Hours
Listing: ETL
Halogen Equivalent: 25 Watts
Operating Voltage: 9-17 Volt, AC & DC
Ambient Temperature: -22F° to +122F°
CRI: Minimum 80
Warranty: 5 Years

PRODUCT # : L-ED16-5W-FL

LED Lamp Specifications:

Effective Wattage: 5 Watts
Color Temperature: 2700K Warm White
Light Output: 350 Lumens
Available Beam Spread: 45° Flood
Feature: Dimmable
Rated Life: 50,000 Hours
Listing: ETL
Halogen Equivalent: 40 Watts
Operating Voltage: 9-17 Volt, AC & DC
Ambient Temperature: -22F° to +122F°
CRI: Minimum 80
Warranty: 5 Years



• Corona Lighting reserves the right to make any change and/or improvement to the design and construction of these Lamps without further notification.