



WWW.CORONALIGHTING.COM

1633 Staunton Ave
 Los Angeles, CA 90021
 TEL. (800) 727-9262 (800) 727-9957
 FAX. (213) 747-4500 (213) 747-3234

ARCHITECTURAL GRADE SERIES

SPECIFICATION SHEET

E-Mail: sales@coronalighting.com

PRODUCT # : CL-742C-T-RC

•Path Lights

•Solid Copper

Fixture Specifications:

Housing & Shroud: Corrosion Resistant Solid Copper.

Stem: 24 inch solid copper pipe with 1/2" NPT on bottom.
 18 Inch and 12 inch stems are also available.

Finish: RC- Raw Copper. Will age gradually over time.

Lens: Clear and heat resistant convex glass.

Socket: Top grade loose ceramic bi-pin socket, spring loaded design.

Lamps: Two 12V, MR-16 halogen 50W max. Standard L-BAB-C20 (20w). LED lamps are also available. See lamp guide below for more information.

Gasket: Silicone double gasketed for water tight sealing

Knuckle: Adjustable cast brass knuckle with thumb screw

Wiring:

Fixture is prewired with a 18-2 SPT2-W direct burial cord. Wire connector sold separately. Universal connector (CX-839) or gel filled wire nut (CX-854) is available from Corona Lighting.

Mounting Spike:

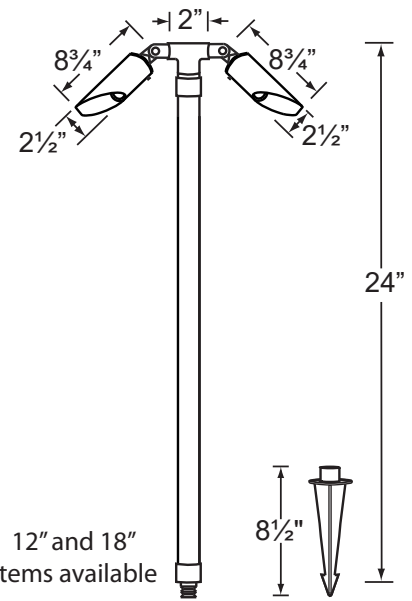
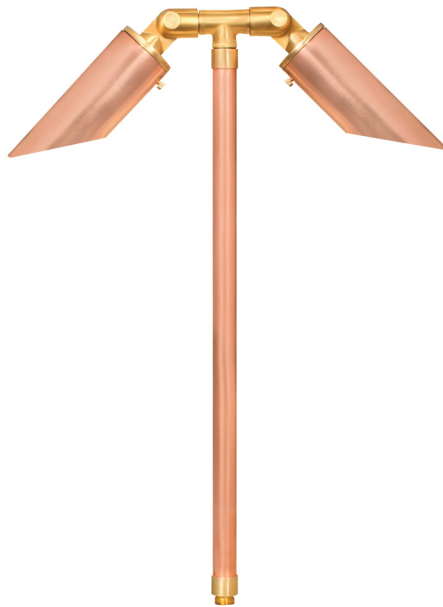
Standard injection molded spike with 1/2" NPT threaded female hub.

Electrical Notes:

A remote 12V transformer required, may be ordered to Corona Lighting separately. Voltage range for 12V halogen lamps are 11V-12.5V. Voltage range for LED lamps are 9V-17V. Proper grease/lubricant is suggested on threaded parts during installation process.

Warranty:

Limited lifetime warranty on fixture housing and stem against manufacturer's defects.



LED
3.5W and 5W

12" and 18" stems available

AVAILABLE LED LAMPS (Corona LED lamps have a five (5) year limited warranty against manufacturer's defects)

LAMP NUMBER	WATTS	BEAM		COLOR & TEMP.	RATED HOURS	HALOGEN EQUIVALENT
		SPREAD	LUMEN			
L-ED16-3W-SP	3.5	15° Spot	270	2700K	50,000	25 Watt
L-ED16-3W-FL	3.5	45° Flood	270	2700K	50,000	25 Watt
L-ED16-3W-WF	3.5	60° Wide Flood	270	2700K	50,000	25 Watt
L-ED16-5W-SP	5	15° Spot	350	2700K	50,000	40 Watt
L-ED16-5W-FL	5	45° Flood	350	2700K	50,000	40 Watt
L-ED16-5W-WF	5	60° Wide Flood	350	2700K	50,000	40 Watt
L-ED16-COB5W-SP	5	15° Spot	450	2700K	50,000	50 Watt
L-ED16-COB5W-FL	5	38° Flood	450	2700K	50,000	50 Watt
L-ED16-COB5W-WF	5	60° Wide Flood	450	2700K	50,000	50 Watt
L-ED16-COB5W-SP3K	5	15° Spot	470	3000K	50,000	50 Watt
L-ED16-COB5W-FL3K	5	38° Flood	470	3000K	50,000	50 Watt
L-ED16-COB5W-WF3K	5	60° Wide Flood	470	3000K	50,000	50 Watt

For more additional Lamps, and accessories visit Coronalighting.com

JOB INFORMATION

TYPE: _____ DATE: _____
 JOB NAME & ADDRESS: _____
 PRODUCT #: _____
 TOTAL QUANTITY: _____
 LAMP TYPE & WATTAGE: _____
 TRANSFORMER: _____
 CONTRACTOR: _____
 SPECIFIER: _____

• When ordering LED lamp with a fixture your part number should follow the format below:

• CL - product # - Length - lamp - wattage - lamp angle
 CL - 742C-T-RC - 18 - L-ED16 - 5W - FL

Example: CL-742C-T-RC-18-L-ED16-5W-FL

• Corona Lighting reserves the right to make any change and/or improvement to the design and construction of this fixture without further notification.