

# SPECIFICATION SHEET

## PRODUCT # : CL-722B-T-AB

•Path Lights

•Cast Brass

### Fixture Specifications:

**Housing & Shrouds:** Corrosion Resistant Cast Brass.

**Stem:** 24 inch solid brass pipe with 1/2" NPT on bottom.  
18 inch, and 12 inch stems also available.

**Finish:** **AB- Antique Bronze.** Natural toning process.  
AB finish will vary due to artistic process.  
Also available in **RC- Raw Copper**

**Lens:** Clear and heat resistant convex glass.

**Socket:** Top grade loose ceramic bi-pin socket, spring loaded design.

**Lamps:** Two 12V, MR-16 halogen 35W max. Standard L-BAB-C20 (20w). LED lamps are also available. See lamp guide below for more information.

**Gasket:** Silicone double gasketed for water tight sealing

**Knuckle:** Adjustable cast brass knuckle with thumb screw

**Wiring:**

Fixture is prewired with a 3ft, 18-2 direct burial cord. Wire connector sold separately. Universal connector (**CX-839**) or silicone filled wire nut (**CX-854**) is available from Corona Lighting.

**Mounting Spike:**

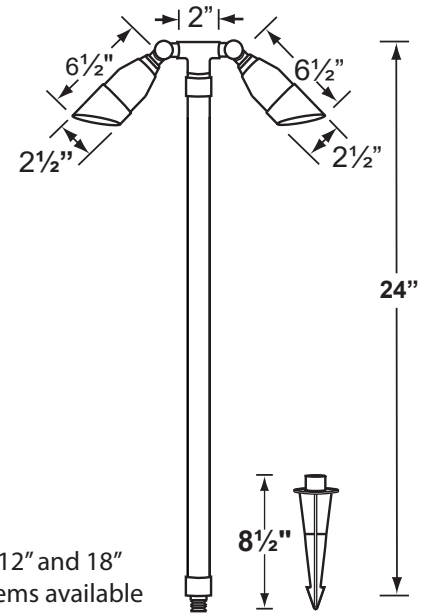
Standard injection molded spike with 1/2" NPT threaded female hub.

**Electrical Notes:**

A remote 12V transformer required, may be ordered to Corona Lighting separately. Voltage range for 12V halogen lamps are 11V-12.5V. Voltage range for LED lamps are 9V-17V. Proper grease/lubricant is suggested on threaded parts during installation process.

**Warranty:**

Limited lifetime warranty on fixture housing and stem against manufacturer's defects.



**LED**  
3.5W and 5W

12" and 18" stems available

**AVAILABLE LED LAMPS** (Corona LED lamps have a five (5) year limited warranty against manufacturer's defects)

LAMP NUMBER	WATTS	BEAM		COLOR & TEMP.	RATED HOURS	HALOGEN EQUIVALENT
		SPREAD	LUMEN			
L-ED16-3W-SP	3.5	15° Spot	270	2700K	50,000	25 Watt
L-ED16-3W-FL	3.5	45° Flood	270	2700K	50,000	25 Watt
L-ED16-3W-WF	3.5	60° Wide Flood	270	2700K	50,000	25 Watt
L-ED16-5W-SP	5	15° Spot	350	2700K	50,000	40 Watt
L-ED16-5W-FL	5	45° Flood	350	2700K	50,000	40 Watt
L-ED16-5W-WF	5	60° Wide Flood	350	2700K	50,000	40 Watt
L-ED16-COB5W-SP	5	15° Spot	450	2700K	50,000	50 Watt
L-ED16-COB5W-FL	5	38° Flood	450	2700K	50,000	50 Watt
L-ED16-COB5W-WF	5	60° Wide Flood	450	2700K	50,000	50 Watt
L-ED16-COB5W-SP3K	5	15° Spot	470	3000K	50,000	50 Watt
L-ED16-COB5W-FL3K	5	38° Flood	470	3000K	50,000	50 Watt
L-ED16-COB5W-WF3K	5	60° Wide Flood	470	3000K	50,000	50 Watt

For more additional Lamps, and accessories visit [Coronalighting.com](http://Coronalighting.com)

**JOB INFORMATION**

TYPE: \_\_\_\_\_ DATE: \_\_\_\_\_  
 JOB NAME & ADDRESS: \_\_\_\_\_  
 PRODUCT #: \_\_\_\_\_  
 TOTAL QUANTITY: \_\_\_\_\_  
 LAMP TYPE & WATTAGE: \_\_\_\_\_  
 TRANSFORMER: \_\_\_\_\_  
 CONTRACTOR: \_\_\_\_\_  
 SPECIFIER: \_\_\_\_\_

• When ordering LED lamp with a fixture your part number should follow the format below:

• **CL** - **product #** - **Length** - **lamp** - **wattage** - **lamp angle**  
**CL - 727B-T-AB - 24 - L-ED16 - 5W - FL**

Example: CL-722B-T-AB-24-L-ED16-5W-FL

• Corona Lighting reserves the right to make any change and/or improvement to the design and construction of this fixture without further notification.