

SPECIFICATION SHEET

PRODUCT # : CL-607

•Area Lights

•Aluminum

Fixture Specifications:

Housing: Die-cast aluminum, with easy lamp replacement.

Stem: Die-cast aluminum stem, with 1/2 NPT hub on bottom.

Finish: Polyester UV powder coated, available in **BK-Black** and **GR-Green**

Lens: Clear tempered glass disc.

Socket: Top grade fixed ceramic bi-pin socket. Easy tool free lamp access.

Lamp: 12V, T3 halogen, 20W max. L-10T3 (10w) standard. LED lamps available in 2W and 2.5W, with 2700K-warm white or 3000K-cool white color temperature. Xenon and halogen lamps also available.

Wiring:

Fixture is prewired with a 3ft 18-2 direct burial cord Wire connector sold separately. Universal connector (**CX-839**) or gel filled wire nut (**CX-854**) is available from Corona Lighting.

Mounting Spike:

6" cast aluminum stem with 1/2" NPT female hub on top.

Electrical Notes:

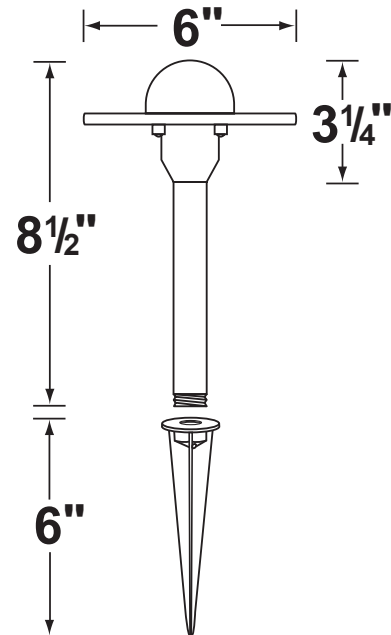
A remote 12V transformer is required. Options are available from Corona Lighting. Voltage range for 12V halogen lamps are 11V-12.5V Voltage range for LED lamps are 8V-21V. Proper grease/lubricant is suggested on threaded parts during installation process.

Warranty:

Limited one (1) year warranty on fixture housing and stem against manufacturer's defects.



BK- Black finish shown



AVAILABLE LED LAMPS (Corona LED lamps have a five (5) year limited warranty against manufacturer's defects)

LAMP NUMBER	WATTS	BEAM		COLOR & TEMP.	RATED HOURS	HALOGEN EQUIVALENT
		SPREAD	LUMEN			
L-EDT3-2W	2	360°	200	2700K	25,000	20 Watt
L-EDT3-2.5W	2.5	180°	240	2700K	25,000	35 Watt
L-EDT3-2W-3K	2	360°	210	3000K	25,000	20 Watt
L-EDT3-2.5W-3K	2.5	180°	250	3000K	25,000	35 Watt
L-EDT3-AM*	2	360°	170	2000K	25,000	20 Watt

AVAILABLE HALOGEN LAMPS

LAMP NUMBER	WATTS	BEAM		COLOR & TEMP.	RATED HOURS
		SPREAD	LUMEN		
L-10T3	10		120	2950K	2,000
L-20T3	20		300	2950K	2,000
L-10T3/SC	10		120	2950K	2,000
L-10T3/SC	20		300	2950K	2,000

*AM- Amber color
For more additional Lamps, and accessories visit Coronalighting.com

JOB INFORMATION

TYPE: _____ DATE: _____

JOB NAME & ADDRESS: _____

PRODUCT #: _____

TOTAL QUANTITY: _____

LAMP TYPE & WATTAGE: _____

TRANSFORMER: _____

CONTRACTOR: _____

SPECIFIER: _____

• When ordering a halogen or xenon lamp add lamp number to the end of the product number. If you are ordering LED lamps you should follow the format below:

• CL - **product #** - **color** - **lamp** - **wattage**
CL - 607 - GR - L-EDT3 - 2W-3K

Example: CL-607-GR-L-EDT3-2W-3K

• Corona Lighting reserves the right to make any change and/or improvement to the design and construction of this fixture without further notification.