

# SPECIFICATION SHEET

## PRODUCT # : CL-502-BR

• Directional Lights

• Cast Brass

### Fixture Specifications:

**Housing & Shroud:** Corrosion Resistant Cast Brass.

**Finish:** BR- Natural Brass. Natural toning process.

**Lens:** Clear and heat resistant tempered flat glass.

**Socket:** Top grade fixed ceramic bi-pin socket, with lamp retention clip to securely hold lamp in place.

**Lamp:** 12V, MR-16 halogen, 35W max. L-BAB-C20 (20w) standard. LED lamps available in 3.5W, and 5W - 2700K color temperature. Available in 15°, 45°, 60° beam spreads for Cree and 45° for Epistar brands.

**Wiring:** Fixture is prewired with a 3-ft 18-2 SPT2-W direct burial cord. Wire connector available separately. Universal connector CX-839 or gel filled wire nut CX-854 may be ordered to Corona Lighting.

**Gasket:** Silicone gasket for water tight sealing

**Knuckle:** Adjustable cast brass knuckle with thumb screw and 1/2" NPT threaded male hub on bottom.

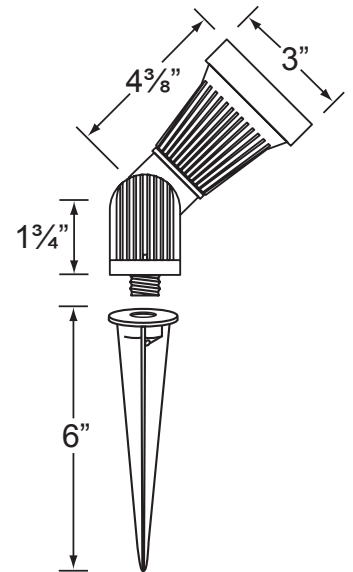
**Mounting Spike:** Solid brass spike with 1/2" NPT threaded female hub.

**Electrical Notes:** A remote 12V transformer required, may be ordered to Corona Lighting separately. Voltage range for 12V halogen lamps are 11V-12.5V. Voltage range for LED lamps are 9V-17V. Proper grease/lubricant is suggested on threaded parts during installation process.

**Warranty:** Limited lifetime warranty on fixture housing against manufacturer's defects.



3.5W and 5W



### MOST COMMON ACCESSORIES USED WITH THIS FIXTURE



**Mounting Canopy**  
CX-709B-BR  
BR - Natural Brass



**Mounting Pedestal**  
CX-603-BK  
BK - Black

### JOB INFORMATION

TYPE: \_\_\_\_\_ DATE: \_\_\_\_\_

JOB NAME & ADDRESS: \_\_\_\_\_

PRODUCT #:

TOTAL QUANTITY:

LAMP TYPE & WATTAGE:

TRANSFORMER:

CONTRACTOR:

SPECIFIER: