

SPECIFICATION SHEET

PRODUCT # : CL-394B-GM

• Brick Light

• Cast Brass

Fixture Specifications:

Housing: Heavy Duty Corrosion Resistant Cast Brass.

Faceplate: Diecast brass faceplate with frosted lens, fitted to stainless steel backplate.

Finish: **GM-** Gun Metal. Natural toning process. GM finish will vary due to artistic process. Also available in: **AB-** Antique Bronze & **SI-** Silver

Lighting Source: Removable 5W LED module, 450 lumens, 3000K, 35W halogen equivalent. Rated hours: 30,000

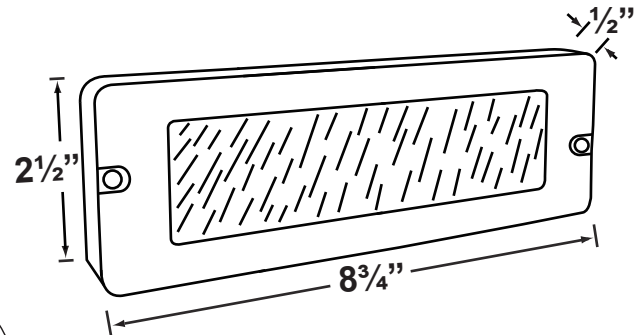
Wiring: Fixture is prewired with a 25ft 18-2 SPT2-W direct burial cord. Wire connector sold separately. Silicone filled wire nut (**CX-854**) is available from Corona Lighting.

Mounting: Surface mounted on walls or steps. Best used on concrete, brick, or other masonry surfaces. Two screws and two anchor bolts are provided.

Electrical Notes: Removable LED module is dimmable. A remote 12V magnetic transformer is required. Options are available from Corona Lighting. Not for use with electronic transformers. Voltage range for LED module is: 8 -15Volt AC
Ambient temperature: -40°F to 124°F. CRI: Ra > 80
Proper grease/lubricant is suggested on threaded parts during installation process. Increasing voltage above 12 volts AC may decrease life of LED cores.

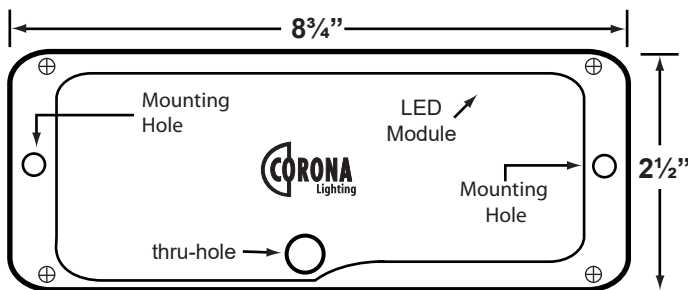
Dimensions: 8³/₄" (Width) x 2¹/₂" (Height) x 1/2" (Depth)

Warranty: Limited lifetime warranty on fixture housing and faceplate against manufacturer's defects. Ten (10) year warranty on removable LED module.



Template of backplate

NO BACKBOX REQUIRED



NOTE: This is the back of the Fixture. Looking from the front of the fixture the positions of through-hole and other details are reversed.

JOB INFORMATION

TYPE: DATE:

JOB NAME & ADDRESS:

PRODUCT #:

TOTAL QUANTITY:

LAMP TYPE & WATTAGE:

TRANSFORMER:

CONTRACTOR:

SPECIFIER:

PRODUCT # : CL-394B-GM

• Brick Lights

• Cast Brass

Cable Connector

CX-854 Direct Burial Silicone Filled Wire Nut, Tan

