

# SPECIFICATION SHEET

## PRODUCT # : CL-362B-OC

• Step Light

• Steel & Brass

### Fixture Specifications:

**Housing:** White powder coated steel mount box with S.C. Bayonet Socket

**Faceplate:** Stamped brass available in **OC**-old Copper. GM finish will vary due to artistic process. Also in: Aluminum: **BK**-Black, **BZ**-Bronze, **RT**- Rust or **WH**-White  
Stamped Metal: **AB**- Antique Bronze, **GM**-Gun Metal, **RC**- Raw Copper, **SI**- Silver

**Lens:** High impact white polycarbonate lens  
Lens is secured and sealed to faceplate.

**Socket:** Top grade, fixed S.C. Bayonet socket.

**Lamp:** 12V, S.C. Bayonet, 18W max.  
Available in LED (2W & 2.5W) or without lamp.  
See the Lamp Guide below for more information.

**Gasket:** Silicone gasket providing water-tight protection.

**Wiring:** Fixture comes prewired with a 12 inch direct burial cord. Wire connector sold separately. Silicone filled wire nut (**CX-854**) are available from Corona Lighting.

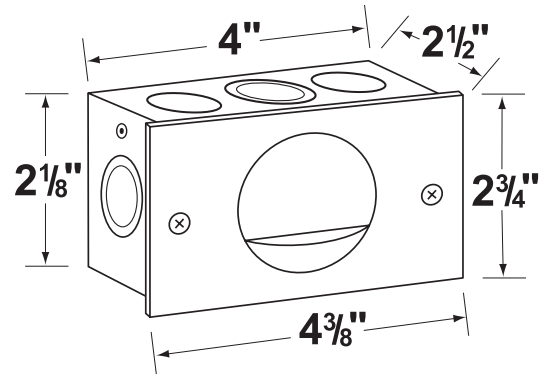
**Mounting:** Recessed box to mount into concrete, brick or masonry. Outdoor use only.

**Electrical Notes:** A remote 12V transformer is required. Options are available from Corona Lighting. Voltage range for LED lamps are 8V-21V.

**Warranty:** **AB, GM, OC, SI, and RC**- Limited lifetime warranty on fixture housing and faceplate against manufacturer's defects.  
**BK, BZ, RT and WH**- Five year warranty on fixture housing and faceplate against manufacturer's defects.



RT color is shown



### AVAILABLE LED LAMPS (Corona LED lamps have a five (5) year limited warranty against manufacturer's defects)

### JOB INFORMATION

LAMP NUMBER	WATTS	BEAM		COLOR & TEMP.	RATED HOURS	HALOGEN EQUIVALENT
		SPREAD	LUMEN			
L-EDBA-2W	2	360°	200	2700K	25,000	20 Watt
L-EDBA-2.5W	2.5	180°	240	2700K	25,000	35 Watt
L-EDBA-2W-3K	2	360°	210	3000K	25,000	20 Watt
L-EDBA-2.5W-3K	2.5	180°	250	3000K	25,000	35 Watt
L-EDBA-AM*	2	360°	170	2000K	25,000	20 Watt

TYPE: \_\_\_\_\_ DATE: \_\_\_\_\_

JOB NAME & ADDRESS: \_\_\_\_\_

PRODUCT #: \_\_\_\_\_

TOTAL QUANTITY: \_\_\_\_\_

LAMP TYPE & WATTAGE: \_\_\_\_\_

TRANSFORMER: \_\_\_\_\_

CONTRACTOR: \_\_\_\_\_

SPECIFIER: \_\_\_\_\_

\*AM- Amber color  
For more additional Lamps, and accessories visit [Coronalighting.com](http://Coronalighting.com)

• If you are ordering LED lamps you should follow the format below:

• **CL** - **product #** - **color** - **lamp** - **wattage**  
CL - 362B - OC - L-EDBA - 2W-3K

Example: CL-362B-OC-L-EDBA-2W-3K

• Corona Lighting reserves the right to make any change and/or improvement to the design and construction of this fixture without further notification.

## PRODUCT # : CL-362B-OC

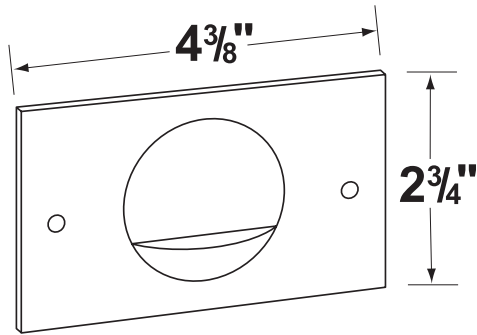
• Step Light

• Steel & Brass

### Faceplates

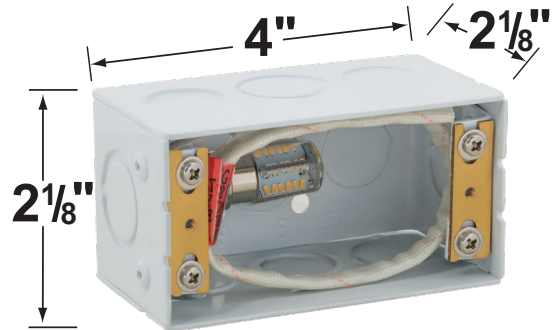
CX-874B-OC Brass, eyelid faceplate with white acrylic lens

Stamped brass available in **OC**-old Copper.  
GM finish will vary due to artistic process. Also in:  
Aluminum: **BK**-Black, **BZ**-Bronze, **RT**- Rust or **WH**-White  
Stamped Metal: **AB**- Antique Bronze, **GM**-Gun Metal ,  
**RC**- Raw Copper, **SI**- Silver



### Mount Box

CX-731 Steel Mount Box, **No Lamp**



Lamp not included. Shown for demonstration.

### Cable Connector

CX-854 Direct Burial Silicone Filled Wire Nut, **Tan**

