

SPECIFICATION SHEET

PRODUCT # : CL-305

• Well Lights

• Aluminum

Fixture Specifications:

Housing: Die-cast aluminum. Composite housing available also.

Finish: Polyester UV powder coated, available in **GR-Green**.
BK and BZ finishes are discontinued.

Lens: Clear, tempered and heat resistant glass.
Frosted glass lens (CX-381-FR) is also available.

Socket: Loose, top grade screw-in terminal.

Lamp: 12V, Par 36 50W Max.
Available in LED (6W, 10W & 13W) or without lamp.
See Lamp Guide below for more information.

Gasket: Silicone "O" ring gasket seals faceplate providing weather-tight protection.

Wiring:

Fixture is prewired with a 3ft 18-2 SJT-W direct burial cord. Wire connector sold separately. Silicone filled direct burial wire nut (**CX-854**) is available from Corona Lighting.

Mounting:

In-ground direct burial or concrete encasement

Electrical Notes:

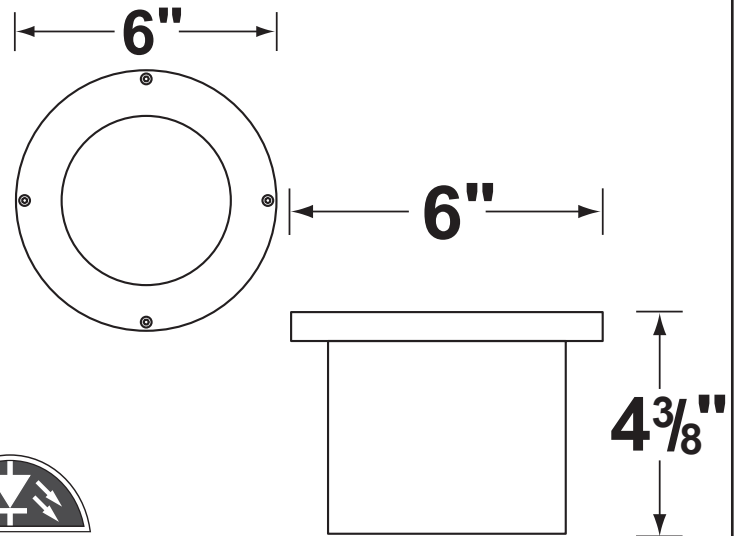
A remote 12V transformer is required. Options are available from Corona Lighting. Voltage range for LED lamps are 9V-24V. Proper grease/lubricant is suggested on threaded parts during installation process.

Warranty:

One (1) year limited warranty on fixture housing and faceplate against manufacturer's defects.



GR- Green finish shown.



LED
6W, 10W, & 13W

AVAILABLE LED LAMPS (Corona LED lamps have a five (5) year limited warranty against manufacturer's defects)

LAMP NUMBER	WATTS	BEAM		COLOR & TEMP.	RATED HOURS	HALOGEN EQUIVALENT
		SPREAD	LUMEN			
L-ED36-6W-FL	6	45° Flood	610	2700K	50,000	35 Watt
L-ED36-6W-WF	6	60° Wide Flood	610	2700K	50,000	35 Watt
L-ED36-10W-FL	10	45° Flood	800	2700K	50,000	50 Watt
L-ED36-10W-WF	10	60° Wide Flood	800	2700K	50,000	50 Watt
L-ED36-13W-FL	13	45° Flood	1150	2700K	50,000	75 Watt
L-ED36-13W-WF	13	60° Wide Flood	1150	2700K	50,000	75 Watt

For more additional Lamps, and accessories visit Coronalighting.com

JOB INFORMATION

TYPE: DATE:

JOB NAME & ADDRESS:

PRODUCT #:

TOTAL QUANTITY:

LAMP TYPE & WATTAGE:

TRANSFORMER:

CONTRACTOR:

SPECIFIER:

• When ordering a halogen lamp add lamp number to the product number. If you are ordering LED lamps you should follow the format below:

• **CL** - **product #** - **lamp** - **wattage** - **lamp angle** Example: CL-305-GR-L-ED36-9W-FL

CL - 305-GR - L-ED36 - 9W - FL

• Corona Lighting reserves the right to make any change and/or improvement to the design and construction of this fixture without further notification.

ACCESSORIES SHEET

E-Mail: sales@coronalighting.com

PRODUCT # : CL-305

• Well Lights

• Aluminum

Cable Connector

CX-854 Direct Burial Silicone Filled Wire Nut, Tan

